

VACUUM BREAKER VB 21

DESCRIPTION

The VB21 vacuum breakers are simple and reliable devices that automatically relieve or “break” an unwanted vacuum condition, restoring the atmospheric pressure.

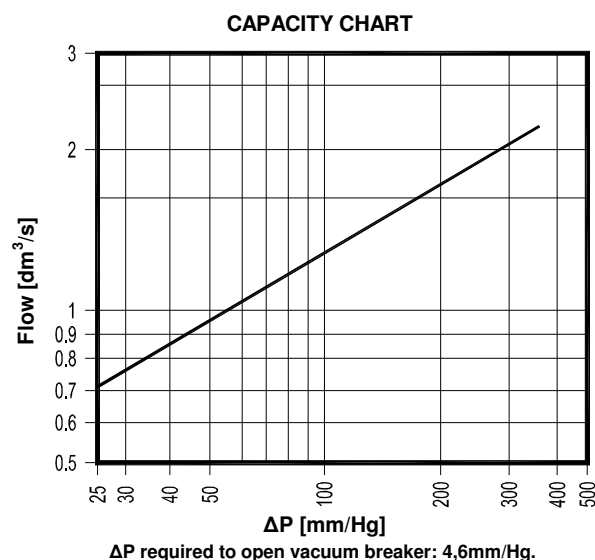
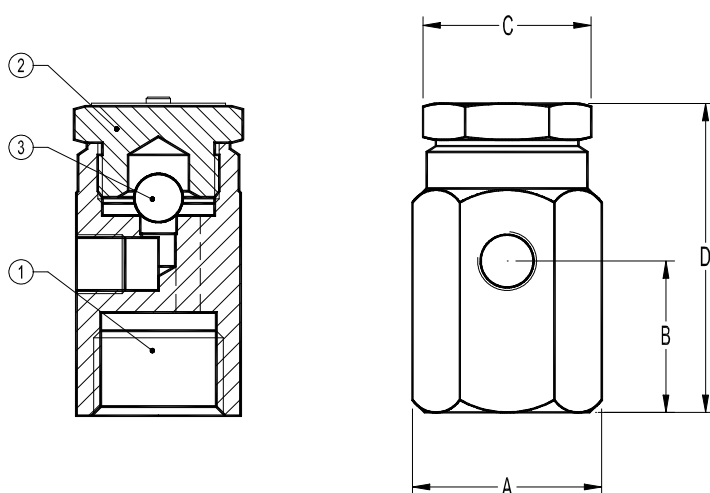
This device is particularly suitable for steam heated units of small and medium volume as heat exchangers, heating coils, calorifiers, jacketed kettles, steam boilers, etc.

Connections are female screwed.

USE: Saturated and superheated steam
AVAILABLE MODELS: VB21
SIZES: 1/2”
CONNECTIONS: Inlet 1/2” vertical
 Outlet 1/8” horizontal
 Female screwed ISO 7/1 Rp (BS21)
INSTALLATION: Vertical installation angled connection.
 See IMI, installation and maintenance instructions.



PMO – Max. operating pressure 21 bar
 TMO – Max. operating temperature 250 °C
 How to order: i.e. VB21 DN 1/2” BSP.



MATERIALS		
POS.Nr.	DESIGNATION	MATERIAL
1	Body	AISI304 / 1.4301
2	Cover	AISI304 / 1.4301
3	* Ball valve	Stainless steel

*Available spare parts.

DIMENSIONS (mm)					
SIZE DN	A	B	C	D	WGT. Kgs
1/2”	32	26	26	52	0,17