

PRESSURE GAUGE MAN-100

DESCRIPTION

MAN-100 pressure gauges have 100 mm diameter and are marked in bar.

MAIN FEATURES

Accuracy – Class 1

Case - Stainless steel

Lens-Glass

Dial-Aluminium white

Pointer-Aluminium black

Measuring system: copper alloy

AVAILABLE

MODELS: MAN-100

CONNECTIONS : DN 1/2" Bottom, back eccentric

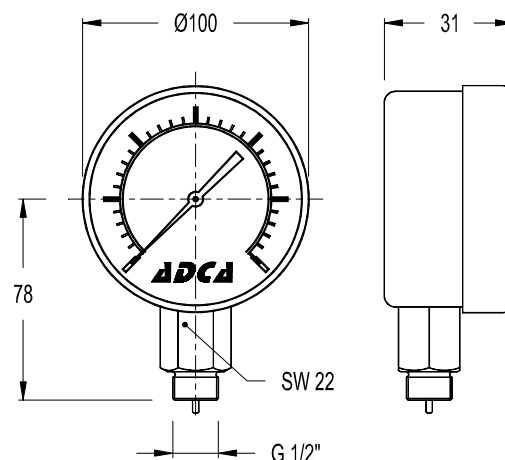
MEASURING RANGE: -1...40 bar

WEIGHT: 0,34Kgs

LIMITING CONDITIONS :

PMA Max. allowable pressure: Full scale reading

PMO Max. operating temperature: 80°C



GAUGE COCK GC-400

DESCRIPTION

GC-400 pressure gauges cocks without test connection DIN

16270 Form A

MAIN FEATURES

Body-Steel C22.8 or stainless steel

Spindle-Stainless steel

Packing-PTFE

Handwheel-Plastic

AVAILABLE

MODELS: GC-400

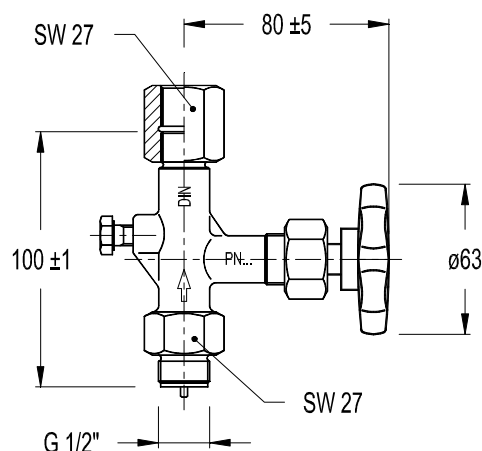
CONNECTIONS : DN 1/2" (male x female)

WEIGHT: 0,51 Kgs

LIMITING CONDITIONS :

Working pressure:250 bar at 250°C

400 bar at 120°C



GAUGE SIPHONS GSC-40

DESCRIPTION

Gauge coil for pressure gauge.

MAIN FEATURES

Complete stainless steel

AVAILABLE

MODELS: GSC-40

CONNECTIONS : DN 1/2" (male x female)

WEIGHT:0,23 Kgs

PMA Max. allowable pressure :40 bar

