

PIPELINE Y STRAINERS IS 140

DESCRIPTION

IS140 strainers are applicable to all types of steam, water, oil and air systems.

Their purpose is to protect traps, regulating valves, piping, etc. from dirt which are often times the cause of damage and consequently energy loss of fluid systems.

Connections are female screwed.

OPTIONS: Different screen aperture sizes
Drain plug or drain valve in strainer cap

USE: Saturated steam, water, oil, air and other compatible fluids.

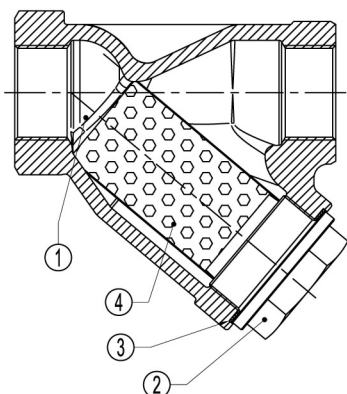
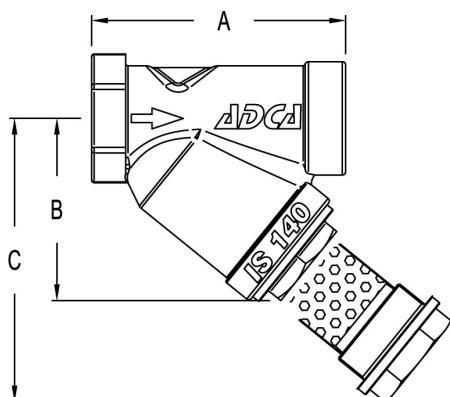
AVAILABLE MODELS: IS 140S – Cast steel
IS 140I – Stainless steel

SIZES: IS 140S – DN 1/2" to DN 2"
IS 140I – DN 1/2" to DN 1"

SCREENS: 0,8 mm aperture

CONNECTIONS: Female screwed ISO 7/1 Rp (BS21)

INSTALLATION: Horizontal or vertical downstream installation.



CE MARKING (PED - European Directive 97/23/EC)	
PN 40	Category
DN 15 to DN 32	SEP - art. 3, paragraph 3
DN 40 and DN 50	1 (CE Marked)

LIMITING CONDITIONS			
IS140S *		IS140I *	
ALLOWABLE PRESSURES	RELATED TEMP.	ALLOWABLE PRESSURES	RELATED TEMP.
40 bar	-10 /50° C	40 bar	-10 /50° C
33,3 bar	200 °C	33,7 bar	200 °C
27,6 bar	300 °C	29,7 bar	300 °C
25,7 bar	350 °C	28,5 bar	350 °C
23,8 bar	400 °C	27,4 bar	400 °C

* Rating according to EN1092-1:2007

DIMENSIONS (mm)				
SIZE DN	A	B	C	WGT. Kgs
1/2"	85	63	107	0,6
3/4"	100	80	139	1
1"	115	87	155	1,5
1 1/4"	143	107	192	2,5
1 1/2"	160	125	215	3,6
2"	198	142	242	5,7

MATERIALS			
POS. Nr.	DESIGNATION	IS140S	IS140I
1	Body	ASTM A216WCB 1.0619	CF8M / 1.4408
2	Cap	A105 / 1.0432	AISI316 / 1.4401
3	* Gasket	St.Steel / Graphite	St.Steel / Graphite
4	* Strainer screen	AISI304 / 1.4301	AISI304 / 1.4301

* Available spare parts