

## EXHAUST HEADS EH

### DESCRIPTION

The EH Exhaust Head is designed to protect the personnel from injury and exterior of buildings from the harmful effects of steam ejection to atmosphere. The head is fitted to the end of a vertical exhaust pipe and thus breaks the beat and muffles the noise of escaping steam whilst effectively retaining the moisture for draining.

Connections are female screwed or flanged.

### MAIN FEATURES

Stainless steel separating element.

Quite operation.

Reduces discharge velocity.



**OPTIONS:** Corrosion protection (metal abrasive blasted, metalized and painted).  
Complete stainless steel construction.

**USE:** Opened vertical steam vent pipes in blowdown vessels, boiler feedtanks, etc.

**CAUTION:** Not recommended for safety valves outlets.

**AVAILABLE MODELS:**  
EH/S - carbon steel body.  
EH/SZ - metalized and painted.  
EH/SS - stainless steel body.

**SIZES:** Screwed: DN1" to DN4".  
Flanged: DN25 to DN150.

**CONNECTIONS:** Female screwed ISO 7/1Rp(BS21)  
Flanged EN 1092-1 PN16 or ANSI Class 150.

**INSTALLATION:** Vertical installation. The drain should be piped to a safe position. The exhaust head should be selected so that it is the same nominal size as the vent pipe.

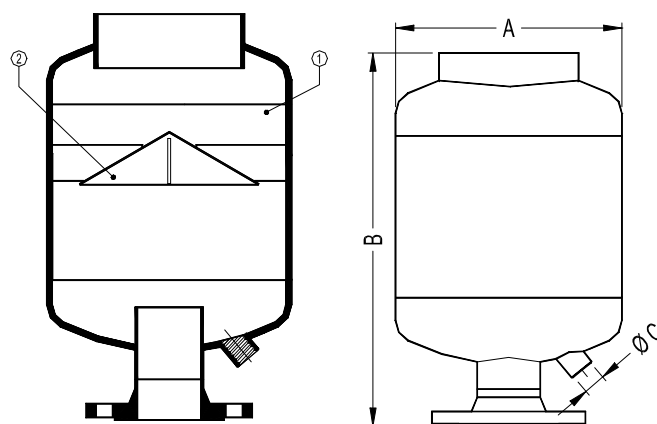
How to order: i.e.EH/S PN16 DN 65

**Note:**

Dimensions are subject to change without notice.

Consult factory for certified dimensions.

Other sizes and designs can be supplied under request.



DIMENSIONS (mm)				
FLANGED EN 1092-1				
SIZE DN	A	B	C	WGT Kg
25	168	345	1/2"	15
32	168	345	1/2"	16
40	168	400	1/2"	18
50	273	450	3/4"	26
65	273	450	3/4"	28
80	273	495	3/4"	29
100	273	495	1"	33
125	356	525	1"	42
150	356	525	1"	48
200	508	650	1 1/2"	95
250	508	650	1 1/2"	110

LIMITING CONDITIONS	
PS - Maximum Allow able Pressure	0,5 bar

Minimum operating temp.: -10°C. Design code: AD-Merkblatt

Other conditions and CE marking on request.

MATERIALS	
DESIGNATION	MATERIAL
Body	Carbon steel P235GH / 1.0305
Separating element	Stainless steel AISI304 / 1.4301