

THERMODYNAMIC STEAM TRAPS DT 40S

DESCRIPTION

Thermodynamic DT40S disc steam traps are compact and lightweight-easy to install traps, excellent for high pressure systems, including steam tracing applications. These traps have only one moving part and offer a wide operating range, without adjustment. Connections are female screwed.

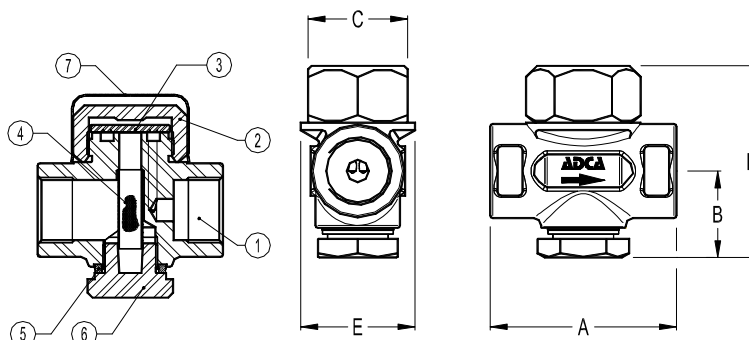
MAIN FEATURES

- Intermittent discharge.
- Operates on superheated steam.
- The disc can be easily replaced in field without removing the trap from the line.
- Unaffected by water-hammer and vibrations.
- Integral seat.

- | | |
|---------------------|---|
| USE: | Saturated and superheated steam. |
| AVAILABLE MODELS: | DT 40S |
| SIZES: | DN3/8" to DN 1" |
| CONNECTIONS: | Female screwed ISO7/1 Rp (BS21) |
| INSTALLATION: | Horizontal installation recommended.
Can be installed in any position. |
| APPLICATION LIMITS: | Min-working pressure – 0,25 bar
Max. working back pressure – 80% |



- | | |
|----------------------------------|--------|
| PMA – Max. allowable pressure | 63 bar |
| TMA – Max. allowable temperature | 400 °C |
| PMO – Max. operating pressure | 40 bar |
| TMO – Max. operating temperature | 350 °C |



DIMENSIONS (mm)						
SIZE DN	A	B	C	D	E	WGT. Kgs
3/8"	70	35	40	73,5	39	0,58
1/2"	70	35	40	73,5	39	0,61
3/4"	75	35	40	77,5	46	0,9
1"	90	35	50	90	52,5	1,3

MATERIALS		
POS.Nr.	DESIGNATION	MATERIAL
1	Body	CA-40 / 1.4028
2	Cover	AISI 304 / 1.4301
3	* Disc	AISI 420 / 1.4021
4	* Strainer screen	AISI 304 / 1.4301
5	* Gasket	St.St./Graphite
6	Strainer cap	AISI 304 / 1.4301
7	* Insulation cap	AISI 304 / 1.4301

*Available spare parts.

FLOW RATE CAPACITY IN Kgs/h														
MODEL	SIZE	DIFFERENTIAL PRESSURE (bar)												
		0,5	1	3	6	9	12	15	18	21	24	30	35	40
DT 40S	3/8"	80	85	115	150	190	210	250	300	310	350	420	490	510
DT 40S	1/2"	140	170	250	330	400	490	500	580	605	690	720	800	820
DT 40S	3/4"	190	225	345	480	590	700	750	810	900	990	1100	1300	1390
DT 40S	1"	290	350	500	700	830	995	1200	1290	1320	1500	1750	1800	1995