

Technical data sheet

Type VE320

Triple function air valve for clear water

Applications and special features



- Automatically and continuously relieves air and gases that accumulate in high points of installations.
- Release or inflow of air through the large air orifice when filling or emptying the installation.
- Epoxy coating inside/outside.
- The stop valve allows the maintenance without emptying the installation.

Technical description

DN		PN	PFA bar	Cat.	References	Vvs-nr
"	mm					
2 ^{1/4}	40-50-60	10/16	16	I	149B 5884	
2 ^{1/2}	65	10/16	16	I	149B 5885	
3	80	10/16	16	I	149B 5886	
4	100	10/16	16	I	149B 5887	

With stop valve : (for other DN, please consult us)

DN		PN	PFA bar	Cat.	References	Vvs-nr
"	mm					
2 ^{1/4}	40-50-60	10/16	16	I	149B 5884R	
2 ^{1/2}	65	10/16	16	I	149B 5885R	

DN		PN	PFA bar	Cat.	References	Vvs-nr
"	mm					
2 ^{1/4}	40-50-60	25	25	I	149B 009166	
2 ^{1/2}	65	25	25	I	149B 009168	
3	80	25	25	I	149B 009170	
4	100	25	25	I	149B 009171	

With stop valve : (for other DN, please consult us)

DN		PN	PFA bar	Cat.	References	Vvs-nr
"	mm					
2 ^{1/4}	40-50-60	25	25	I	149B 009167	
2 ^{1/2}	65	25	25	I	149B 009169	

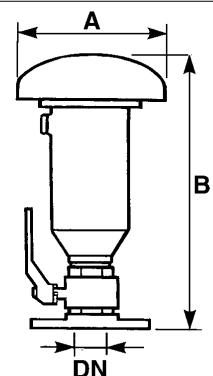
- **Connection** : Flanges drilled PN - See table
- **Permissible operating pressure PFA - water-** (for supply, distribution and disposal of water) : See table
- **θ** : Mini. 0 °C
Maxi. 60 °C
- **Mediums** : clear water
- **Approvals** : ACS
- **International construction Standards:**
Flange drilling according EN1092-2

Overall dimensions

DN		For pipe	A	B	Weight
"	mm	Ø mm	mm	mm	kg
2 ^{1/4}	40-50-60	≤ 200	200	320	12
2 ^{1/2}	65	≤ 200	200	320	12
3	80	≤ 500	225	320	19
4	100	≤ 1000	255	370	22

With stop valve : (for other DN, please consult us)

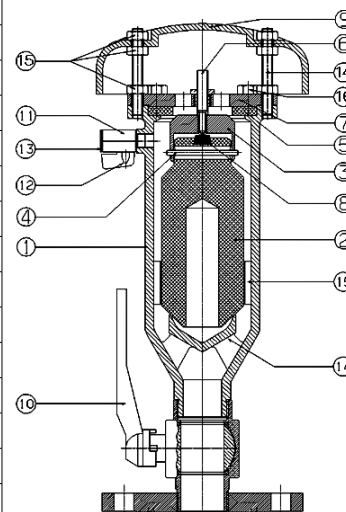
DN		For pipe	A	B	Weight
"	mm	Ø mm	mm	mm	kg
2 ^{1/4}	40-50-60	≤ 200	200	460	13
2 ^{1/2}	65	≤ 200	200	460	13



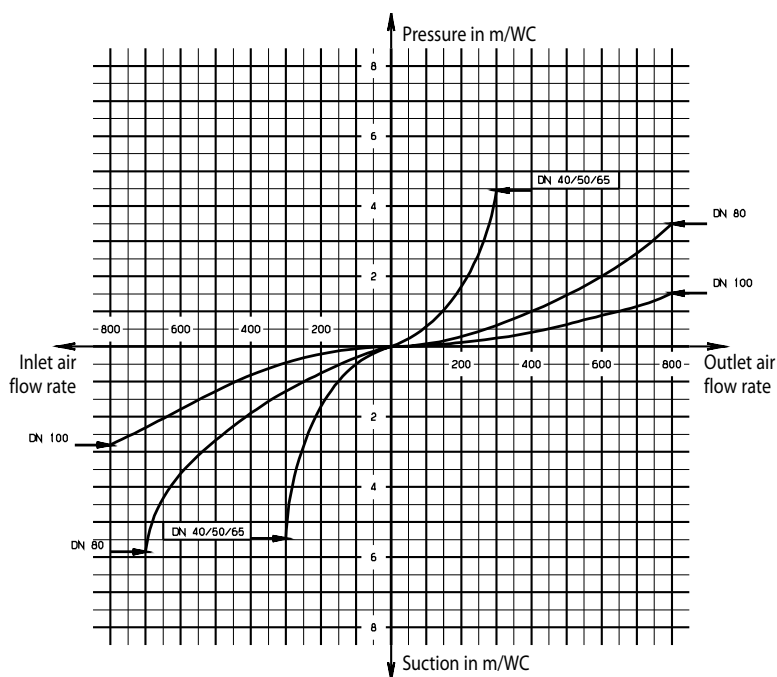
Technical data sheet Type VE320 - Triple function air valve

Spare parts list and materials

Nb	Description	Materials	EURO	ANSI
1	CASING	Cast iron + epoxy	EN-GJL-250	ASTM A 48 35 B
2	FLOAT	PE (polyethylene)		
3	CLOSING SYSTEM	PVC		
4	STEM	PA (polyamide)		
5	SEAL	Polyurethane		
	SEAL DN100	NBR (nitrile)		
6	DRAIN	Stainless steel	X5CrNiMo17-12-2	AISI 316
7	UPPER PLATE	Steel + epoxy		
8	SEAL	NBR (nitrile)		
9	CAP	Cast iron + epoxy	EN-GJL-250	ASTM A 48 35 B
10	BALL VALVE M/F	Chrome plated brass	CuZn40Pb3	
11	PLUG	Brass	CuZn40Pb3	
12	BALL VALVE M/F	Chrome plated brass	CuZn40Pb3	
13	PROTECT. CAP	PE (polyethylene)		
14	ROD	Stainless steel	X5CrNi18-10	AISI 304
15	NUT	Stainless steel	X5CrNi18-10	AISI 304
16	NUT	Stainless steel	X5CrNi18-10	AISI 304



Flow/pressure graph



Socla can accept no responsibility for possible errors in catalogue, brochures and other printed material. Socla reserve the right to alter its products without notice. This also applies to products already agreed. All trademarks in this material are the property of the respective companies. All right reserved.

Socla SAS

365 rue du lieutenant Putier
71530 VIREY LE GRAND
Postal address : BP 10273
71107 CHALON SUR SAONE Cedex

Tel : 33 3 85 97 42 52
Fax : 33 3 85 97 97 42
<http://www.socla.com>
e-mail: commerfr@socla.com