

Technical manual

Manual actuations : PCX, PCF, PCI, RM, RMI

Handlevers and gear boxes

Summary



- **PCX** : • Hand lever - Overall dimensions **p. 2**
• Assembly - Overall dimensions
• Options
- **PCF** • Hand lever - Overall dimensions **p. 3-4**
• Assembly - Overall dimensions
• Options
- **PCI** • Hand lever - Overall dimensions **p. 5-6**
• Assembly - Overall dimensions
• Options
- **RM** • Hand lever - Overall dimensions.....**p. 7-8**
• Assembly - Overall dimensions
• Options
- **RMI** • Hand lever - Overall dimensions..... **p. 9-10**
• Assembly - Overall dimensions
• Options

Description

PCX : 5 notched padlockable handlever made out of polyamide, an insulating and corrosion-proof material

PCF : Cast iron notched handle : sturdy, reliable, 10 adjustment positions, padlocked for security, wide range of fittings.

PCI : Stainless steel (304) handlever

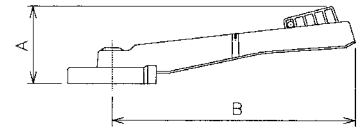
RM : Aluminium and cast iron manual gear box
- Long life lubricated
- Actuated by a wheel

RMI IP 65 manual gear box in stainless steel

Overall dimensions
Handlever

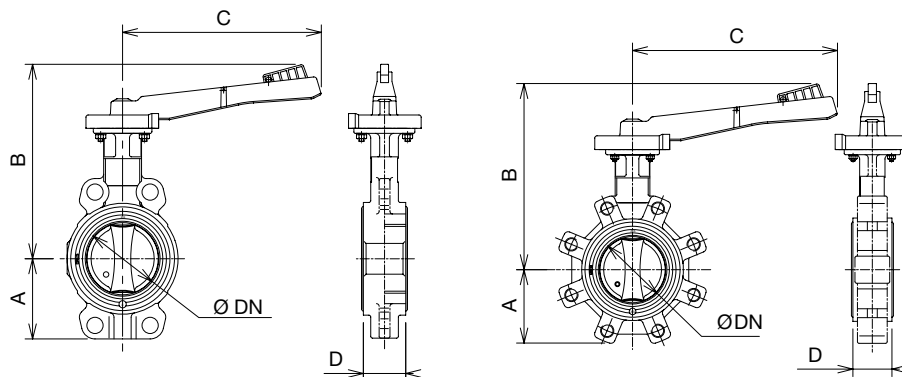
5 notched padlockable handlever made out of polyamide, an insulating and corrosion-proof material

SYLAX 25-350 TILIS	Iso top	A	B	Ref.	Kg
DN 25 - 80	F05/11	82	200	149H 022947	0,3
DN 100 - 150	F07/14	85	275	149H 023440	0,5



Overall dimensions
Assembly

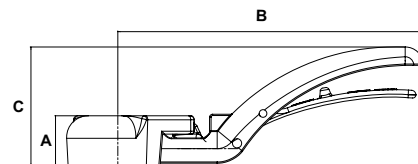
SYLAX 25-350 -TILIS				
DN	A	B	C	D
25	50	207	200	32
32	57	212	200	32
40	57	212	200	32
50	62	218	200	43
65	70	227	200	46
80	89	233	200	46
100	106	260	275	52
125	120	275	275	56
150	131	288	275	56



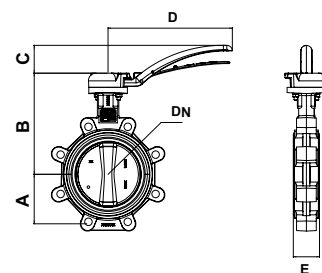
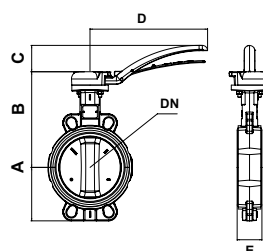
**Overall dimensions
Handlever**

Cast iron notched handle : sturdy, reliable, 10 adjustment positions, padlocked for security, wide range of fittings.

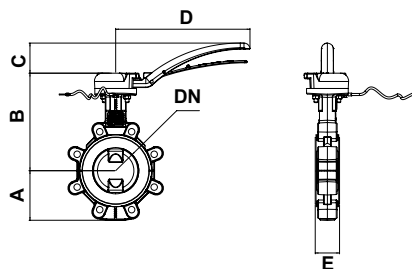
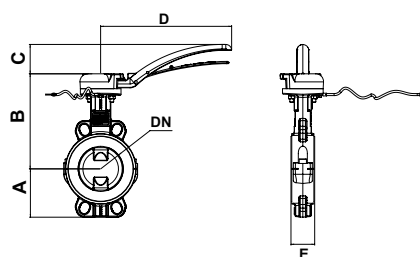
LYCENE	SYLAX 25-350 TILIS	ISO TOP	A	B	C	Ref.	Kg
DN 25 - 80	DN 25 - 80	F05/11	33	200	78	149H001294	0,8
DN 100 & 125	DN 100 - 150	F07/14	33	290	98	149H001454	1,2
DN 150		F07/14	42	450		149H026529	3
DN 200	DN 200	F10/17	42	450		149H001455	3,2
	DN 250	F10/22	42	450		149H001302	3,2
	DN 300	F12/22	42	450		149H001457	3,9


**Overall dimensions
Assembly**

SYLAX 25-350 - TILIS					
DN	A	B	C	D	E
25	50	158	45	200	32
32/40	57	163	45	200	32
50	62	169	45	200	43
65	70	178	45	200	46
80	89	184	45	200	46
100	106	208	65	290	52
125	120	223	65	290	56
150	131	236	65	290	56
200	164	293	86	450	60
250	200	318		450	68
300	235	343		450	78

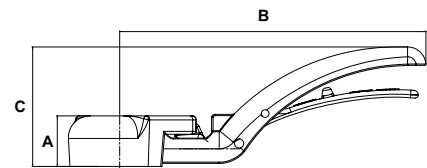


LYCENE					
DN	STAINLESS STEEL & PFA				
	A	B	C	D	E
32/40	73	163	45	200	32,5
50	69	172	45	200	43,5
65	73	178	45	200	46,5
80	89	183	45	200	46,5
100	106	210	65	290	52,5
125	120	222	65	290	56,5
150	132	249		450	56,5
200	164	292		450	60,5

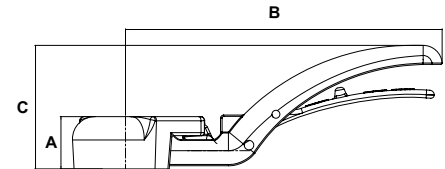


Options
Short PCF

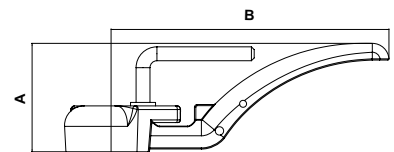
DN	A	B	C	Ref.	Kg
25 - 80	33	165	60	149H 017 224	0,6
100 - 125	33	200	78	149H 028 323	1,0


Yellow double notched padlockable PCF

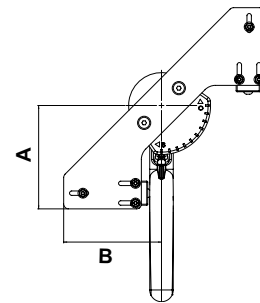
DN	A	B	C	Ref.	Kg
25 - 80	33	200	78	149H 001 468	0,8
100 - 125	33	290	98	149H 001 469	1,2
200	42	450		149H 001 470	3,2
250	42	450		149H 001 471	3,2
300	42	450		149H 001 472	3,9


Adjustable ductile iron handlever

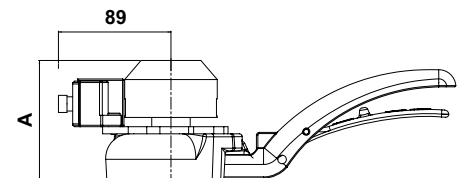
DN	A	B	Ref.	Kg
25 - 80	78	200	149G CM1864	0,8
100 - 125	98	290	149G CM1865	1,2
200	97	450	149H 001 497	3
250	97	450	149H 001 498	2,9
300	97	450	149H 001 499	3,7


Plate with 1 (or 2) mechanical limit switch on PCF

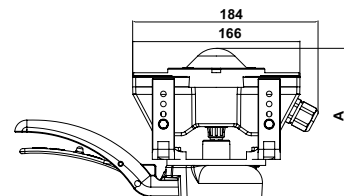
DN	A	B	1 limit switch		2 limit switches	
			Réf.	Kg	Ref.	Kg
25 - 80	106	100	149G CM1721	1,2	149G CM1742	1,3
100 - 125	106	100	149G CM1726	2,0	149G CM1746	2,1
200	105	95	149H 001475	3,4	149H 001480	3,5
250	105	95	149H 001476	3,4	149H 001481	3,5
300	118	95	149H 001477	4,0	149H 001482	4,1


Connection for inductive limit switch

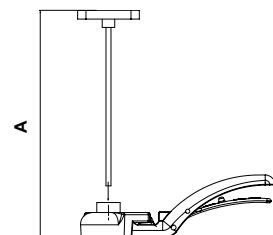
DN	A	Ref.	Kg
25 - 80	85	149G CM1822	1,2
100 - 150	85	149G CM1826	1,6
200	106	149G CM1475	3,7
250	106	149G CM1476	3,7
300	106	149G CM1477	4,4


Switchbox

DN	A	Réf.	Kg
25 - 80	149	149G CM1812	1,8
100 - 150	149	149G CM1816	2,3
200	160	149G CM1818	4,6
250	160	149G CM1819	4,6
300	160	149G CM1820	5,5


Thermometer

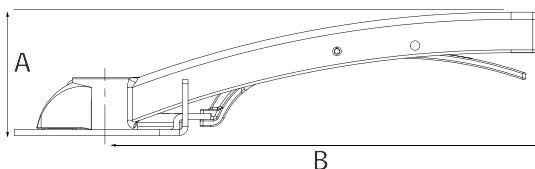
DN	A	Réf.	Kg
25 - 80	59	149G CM1866	0,7
100 - 150	59	149G CM1867	
200	69	149H 028 507	3,3
250	69	149H 028 508	3,3
300	69	149G 028 509	4
300	69	149G 028 509	4



**Overall dimensions
Handlever**

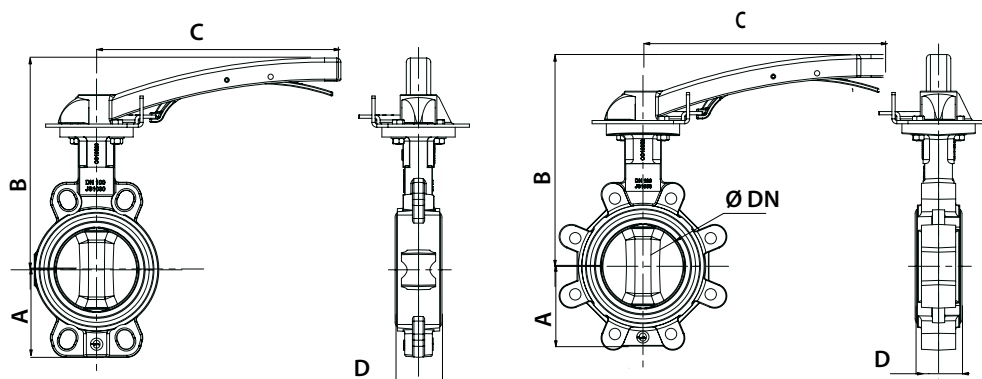
10 notched padlockable handlever in stainless steel

LYCENE	SYLAX 25-350 TILIS	EMARIS	Iso top	A	B	Ref.	Kg
DN 25 - 80	DN 25 - 80		F05/11	70	200	149GCM1593	1
		DN 65	F07/11	70	200	149GCM1594	1
		DN 80 & 100	F07/14	70	200	149GCM1595	1
DN 100 & 125	DN 100 - 150	DN 100	F07/14	85	300	149GCM1536	2,1
		DN 125 & 150	F10/17	85	300	149GCM1537	2,2
DN 150			F07/14	80	450	149GCM1601	2,4
DN 200	DN 200	DN 125 & 150	F10/17	80	450	149GCM1602	2,6
	DN 250		F10/22	80	450	149GCM1603	2,6
	DN 300		F12/22	80	450	149GCM1604	2,9



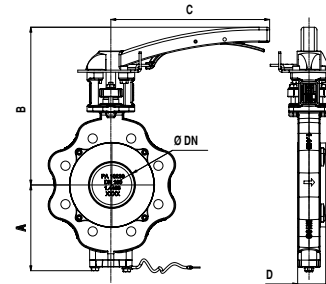
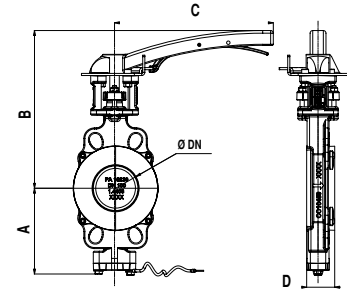
**Overall dimensions
Assembly**

SYLAX 25-350 - TILIS				
DN	A	B	C	D
25	52	195	200	32
32/40	57	200	200	32
50	62	206	200	43
65	70	215	200	46
80	89	221	200	46
100	106	260	300	52
125	120	275	300	56
150	132	288	300	56
200	164	326	450	60
250	200	351	450	68
300	235	376	450	78

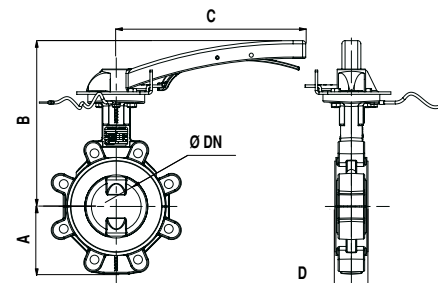
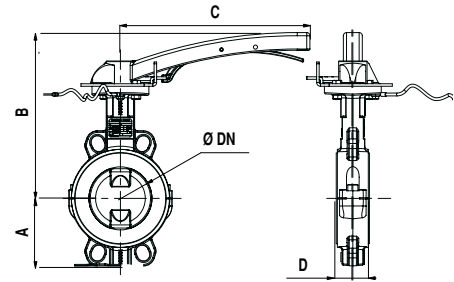


**Overall dimensions
Assembly**

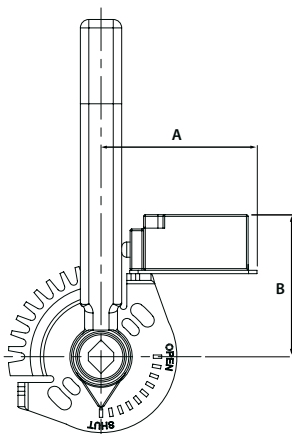
DN	EMARIS		LG 200		LG 300		LG 450	
	A	D	B	C	B	C	B	C
65	140	47	245	200	-	-	-	-
80	151	47	266	200	-	-	-	-
100	164	53	283	200	298	300	-	-
125	180	57	-	-	328	300	323	450
150	197	57	-	-	357	300	352	450



LYCENE				
DN	STAINLESS STEEL & PFA			
	A	B	C	D
32/40	73	200	200	32,5
50	69	209	200	43,5
65	73	215	200	46,5
80	89	220	200	46,5
100	106	262	300	52,5
125	120	274	300	56,5
150	132	282	450	56,5
200	164	325	450	60,5


Options

- Stainless steel notched handlever with 1 (or 2) mechanical limit switch

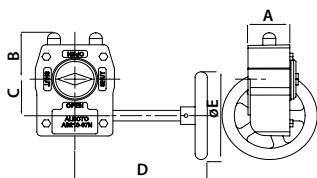


LYCENE	SYLAX 25-350 TILIS	EMARIS	Iso top	A	B	1 FC		2 FC	
						REF.	Kg	REF.	Kg
SEE OVERALL DIMENSIONS HANDLEVER PAGE 6				93	85	149G CM1634	1,1	149G CM1644	1,2
				93	85	149G CM1635	1,1	149G CM1645	1,2
				93	85	149G CM1636	1,1	149G CM1646	1,2
				93	93	149G CM1638	2,2	149G CM1648	2,3
				93	93	149G CM1639	2,3	149G CM1649	2,4
				93	93	149G CM1640	2,5	149G CM1650	2,6
				93	93	149G CM1641	2,7	149G CM1651	2,8
				93	93	149G CM1642	2,7	149G CM1652	2,8
				93	120	149G CM1643	3	149G CM1653	3,1

- Double notched padlockable stainless steel PCI

**Overall dimensions
Handlever**

Aluminium and cast iron manual gear box, longlife lubricated, actuated by a wheel.



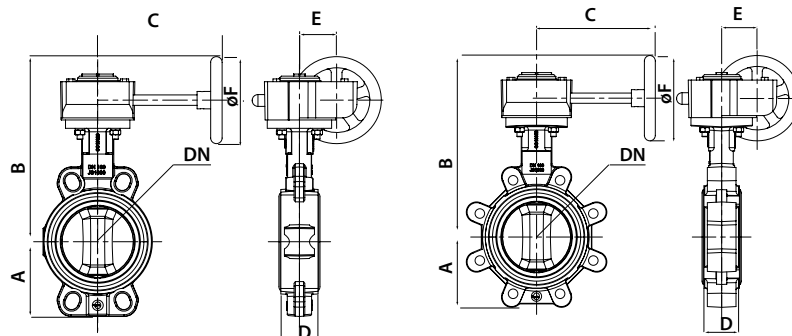
EMARIS	LYCENE		SYLAX 25-350 TILIS SYLAX400-1200	ISO TOP	TYPE		A	B	C	D	E	Ref	Kg
	Stainless steel	PFA											
	DN 32 à 80		DN 25 à 80	F05/11	232 05	PS125	53	48	42,5	120	125	149GRD2221	1,1
DN 50 à 65				F07/11	232 05	PS125	53	48	42,5	120	125	149GRD2222	1,1
DN 80 à 100	DN 100 à 150		DN 100 à 150	F07/14	232 05	PS125	53	48	42,5	120	125	149GRD2223	1,1
DN 125 à 150	DN 200		DN 200	F10/17	232 08	PS200	67	56	50	197	200	149GRD2224	2,6
DN 150 (1)				F10/17	232 08	PS250	67	56	50	197	250	149GRD2546	2,7
	DN 250		DN 250	F10/22	232 08	PS200	67	56	50	197	200	149GRD2225	2,6
	DN 300		DN 300	F12/22	232 11	PS250	79	79	60	239	250	149GRD2226	5
			DN 350	F12/27	232 11	PS250	79	79	60	239	250	149GRD2227	5
			DN 400	F12/27	AB550N	SG400	87,5	83	71	302	400	149GRD1624	8,5
			DN 450	F14/36	AB550N	SG400	87,5	83	71	408	400	149GRD2253	12
			DN 500	F14/36	AB880N	SG400	92,5	101	86	312	400	149GRD1939	15
			DN 600	F14/36	AB1250N	SG500	101,5	110	104,5	346	500	149GRD2380	26
			DN 700	F16/46	AB1950	SG600	121	143	130	490	600	149GRD2510	35
			DN 800	F25/D72	AB1950 / SP4	SG500	200	143	211	450	500	149GRD2541	50
			DN 900	F30/D98	AB6800N / SP4	SG600	200	170	263	500	600	149GRD2024	80
			DN 1000	F30/D98	AB6800N / SP4	SG600	200	170	263	500	600	149GRD2026	80
			DN 1200	F30/D98	AB6800N / SP4	SG600	200	170	263	500	600	149GRD2026	80

(1) : PS40 and PS50 only

**Overall dimensions
Assembly**

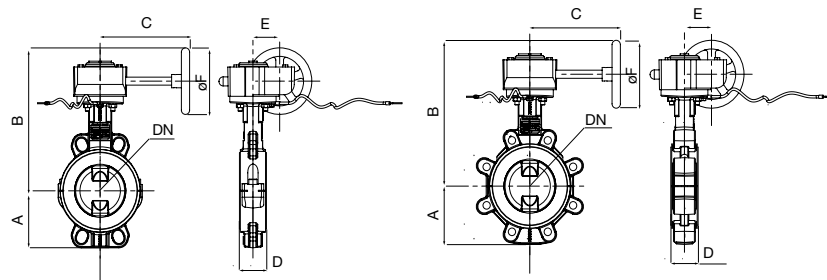
SYLAX 25-350 - TILIS - SYLAX 400-1200						
DN	A	B	C	D	E	ø F
DN25	50	214,5	120	32	42,5	125
DN 32/40	57	219,5	120	32	42,5	125
DN 50	62	225,5	120	43	42,5	125
DN 65	70	234,5	120	46	42,5	125
DN 80	89	240,5	120	46	42,5	125
DN 100	106	264,5	120	52	42,5	125
DN 125	120	279,5	120	56	42,5	125
DN 150	131	292,5	120	56	42,5	125
DN 200	164	373,5	197	60	50	200
DN 250	200	399	197	68	50	200
DN 300	235	459	239	78	60	250
DN 350	270	468	239	78	60	250
DN 400	286	619	302	102	71	400
DN 450	315	658	408	114	71	400
DN 500	355	682	312	127	86	400
DN 600	432	743	346	154	104,5	500
DN 700	503	979	472	165	130	600
DN 800	568	889	480	190	211	500
DN 900	655	1059	500	203	263	600
DN 1000	705	1109	500	216	263	600
DN 1200(2)	768	1229	500	252	263	600

(2) : Double flange only



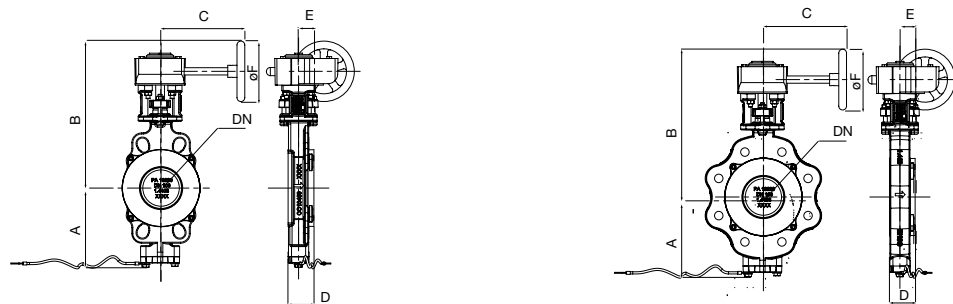
**Overall dimensions
Assembly**

LYCENE						
INOX						
DN	A	B	C	D	E	ø F
DN 32/40	73	219,5	120	32,5	42,5	125
DN 50	69	228,5	120	43,5	42,5	125
DN 65	73	234	120	46,5	42,5	125
DN 80	89	239,5	120	46,5	42,5	125
DN 100	106	304,5	197	52,5	50	200
DN 125	119,5	317	197	56,5	50	200
DN 150	132	330	197	56,5	50	200
DN 200	164	372,5	197	60,5	50	200
DN 250	200	398	197	68,5	50	200
DN 300	235	458	239	78,5	71	250



EMARIS						
DN	A	B	C	D	E	ø F
DN 65	140	265	171	47	43	125
DN 80	151	287	171	47	52	125
DN 100	164	304	171	53	52	125
DN 125	180	372	188	57	52	200
DN 150	197	401	188	57	52	200
DN 150 (3)	197	470	211	57	71	315

(3) : PS40 and PS50 only

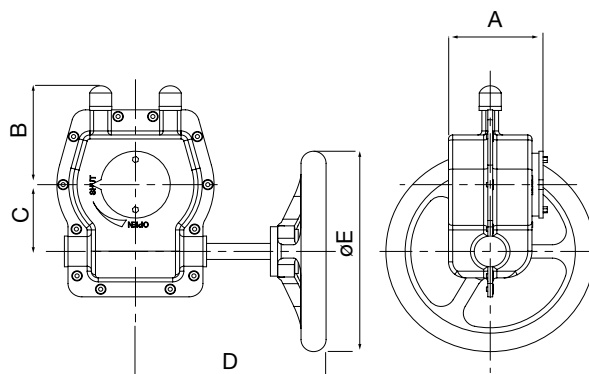

Options

- Manual gear box equipped with 1 (or 2) mechanical limit switch.
- Manual gear box equipped with 1 (or 2) inductive limit switch.
- Manual gear box equipped with IP67 switchbox.
- Manual gear box actuated by operating cap.
- Manual gear box actuated by chain-wheel.
- IP68 manual gear box in cast iron GG25.
- Steel extension.

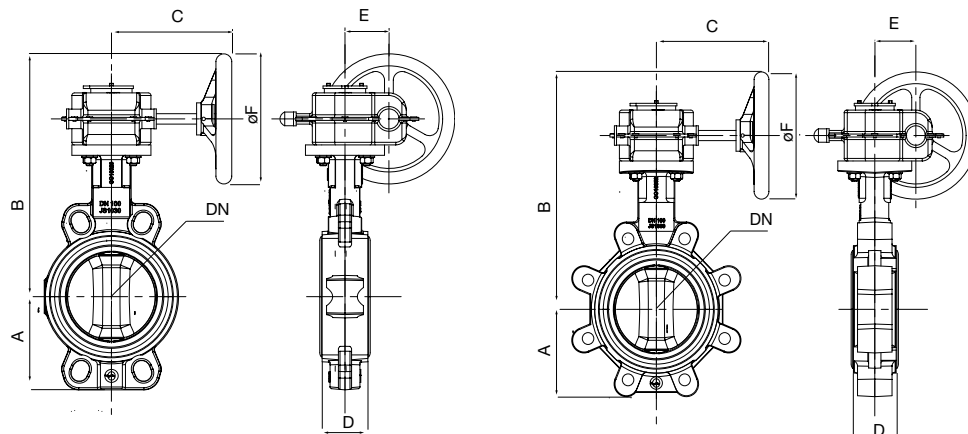
**Overall dimensions
Handlever**

EMARIS	LYCENE		SYLAX 25-350 TILIS	ISO TOP	TYPE	A	B	C	D	E	Ref	Kg
	Stainless steel	PFA										
	DN 32 - 80		DN 25 - 80	F05/11	307 AL150	128 (1)	71	50	137	150	149H028587	3
DN 65				F07/11	307 AL150	68	71	50	137	150	149GRD2058	2
DN 80 & 100	DN 100 - 150			F07/14	307 AL150	68	71	50	137	150	149H028588	2
DN 125 & 150	DN 200			F10/17	310 AL215	84	90	60	227	215	149H028589	3,5
			DN 250	F10/22	310 AL215	84	90	60	227	215	149H028590	3,5
	DN 250			F10/22	312 AL350	167 (1)	102	80	290	350	149GRD2090	10
	DN 300			F12/22	312 AL350	87	102	80	290	350	149H028591	8
			DN 350	F12/27	312 AL350	87	102	80	290	350	149GRD1669	8

(1) : Mounting with support and joint

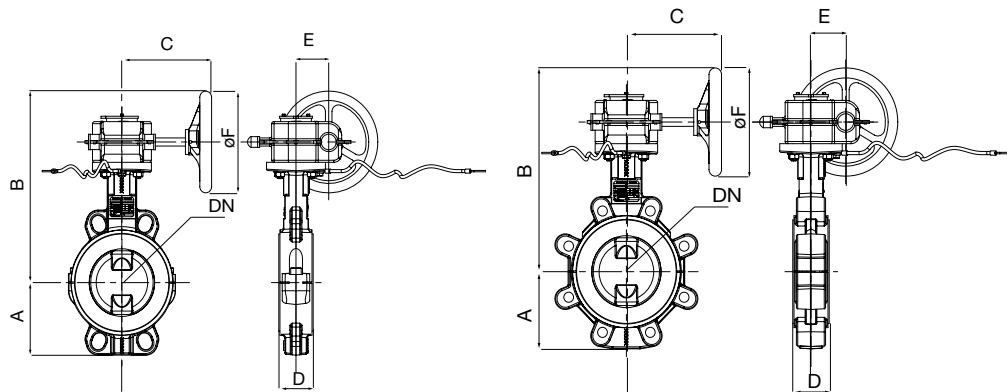

**Overall dimensions
Assembly**

SYLAX 25-350 - TILIS						
DN	A	B	C	D	E	ø F
DN 25	50	289	137	32	50	150
DN 32/40	57	294	137	32	50	150
DN 50	62	300	137	43	50	150
DN 65	70	309	137	46	50	150
DN 80	89	315	137	46	50	150
DN 100	106	279	137	52	50	150
DN 125	120	294	137	56	50	150
DN 150	131	307	137	56	50	150
DN 200	164	390	227	60	60	215
DN 250	200	415	227	68	60	215
DN 300	235	511	290	78	80	350
DN 350	270	520	290	78	80	350

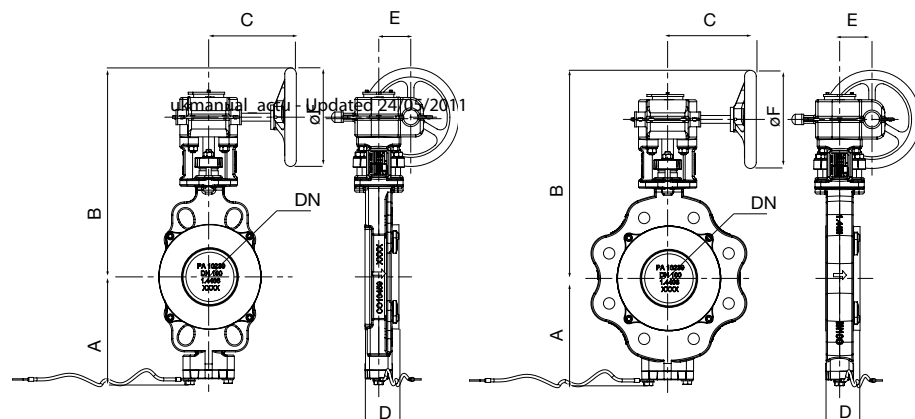


**Overall dimensions
Assembly**

LYCENE - Stainless steel						
DN	A	B	C	D	E	ø F
DN 32/40	73	294	137	32,5	50	150
DN 50	69	303	137	43,5	50	150
DN 65	73	309	137	46,5	50	150
DN 80	89	314	137	46,5	50	150
DN 100	106	281	137	52,5	50	150
DN 125	120	293	137	56,5	50	150
DN 150	132	306	137	56,5	50	150
DN 200	164	389	227	60,5	60	215
DN 250	200	565	290	68,5	80	350
DN 300	235	510	290	78,5	80	350



EMARIS						
DN	A	B	C	D	E	ø F
DN 65	140	279	137	47	50	150
DN 80	151	300	137	47	50	150
DN 100	164	317	137	53	50	150
DN 125	180	387	227	57	60	215
DN 150	197	416	227	57	60	215



Socla can accept no responsibility for possible errors in catalogue, brochures and other printed material. Socla reserve the right to alter its products without notice. This also applies to products already agreed. All trademarks in this material are the property of the respective companies.

Socla Sas

365 rue du lieutenant Putier
71530 VIREY LE GRAND
Postal address : BP 10273
71107 CHALON SUR SAONE Cedex

Tel : 33 3 85 97 42 52
Fax : 33 3 85 97 97 42
<http://www.socla.com>
e-mail:commerfr@socla.com