

Technical data sheet

Type 207 Non-return valve System M

Applications and special features



- Operates in any position,
- Minimum head loss,
- Does not generate hammering, very silent,
- Closing system : flexible membrane (thick elastomer disc) held in its center on a metal seat consisting of a grid (flow equivalent to the nominal section),
- Sealing ensured by self-closing membrane
- On membrane check valves, the opening regulated by the elasticity and the thickness of the membrane is very progressive and can be obtained as a result of a few centimeters of W/C. Because of this, this check valve is particularly suitable for variable flow pumps and pulsatory operation.

Technical description

DN "	PFA mm in bar	PS in bar				Cat.	References	Vvs-nr
		L1	L2	G1	G2			
3/8	12/17	16	16	16	16	3.3	149B 2019	
1/2	15/21	16	16	16	16	3.3	149B 2100	
3/4	20/27	16	16	16	16	3.3	149B 2101	
1	26/34	16	16	16	16	3.3	149B 2102	
1 ^{1/4}	33/42	16	16	16	16	I	149B 2103	
1 ^{1/2}	40/49	16	16	16	16	I	149B 2104	
2	50/60	16	16	16	16	I	149B 2105	
2 ^{1/2}	66/76	16	16	15	16	I	149B 2106	
3	80/90	16	16	12	16	I	149B 2107	

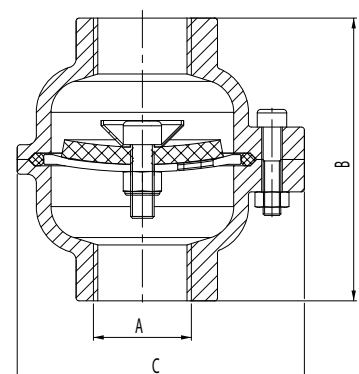
Important notice :

The indicated pressure for the different categories of fluids (L1/L2/G1/G2) is under no condition a guarantee of use. Therefore, it is essential to validate the use of products under given operating conditions.

- **Connection** : Female/Female (BSP).
- **Permissible operating pressure PFA - water** - (for supply, distribution and disposal of water) : See table
- **Maximum permissible pressure PS - other mediums**: See table
- **θ** : Mini. -10 °C
Maxi. 60 °C
- **Mediums** : Clear liquids, gas
- **Approvals** : ACS (except DN 3/8") -
- **International construction Standards** :
CE Conformity Directive 97/23/CE
Thread connection NF E 03-005 ISO 228

Overall dimensions

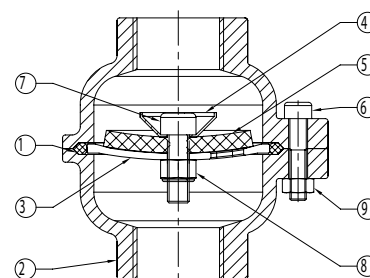
"	A		B	C	Weight
	mm	mm	mm	mm	kg
3/8	12/17	67,5	60	0,15	
1/2	15/21	86	88	0,85	
3/4	20/27	86	88	0,85	
1	26/34	96	97,5	1,3	
1 ^{1/4}	33/42	100	107,5	1,6	
1 ^{1/2}	40/49	132	123,5	2,6	
2	50/60	172	139,5	4	
2 ^{1/2}	66/76	196	170	6,4	
3	80/90	234	214	12	



Technical data sheet Type 207 - Non-return valve

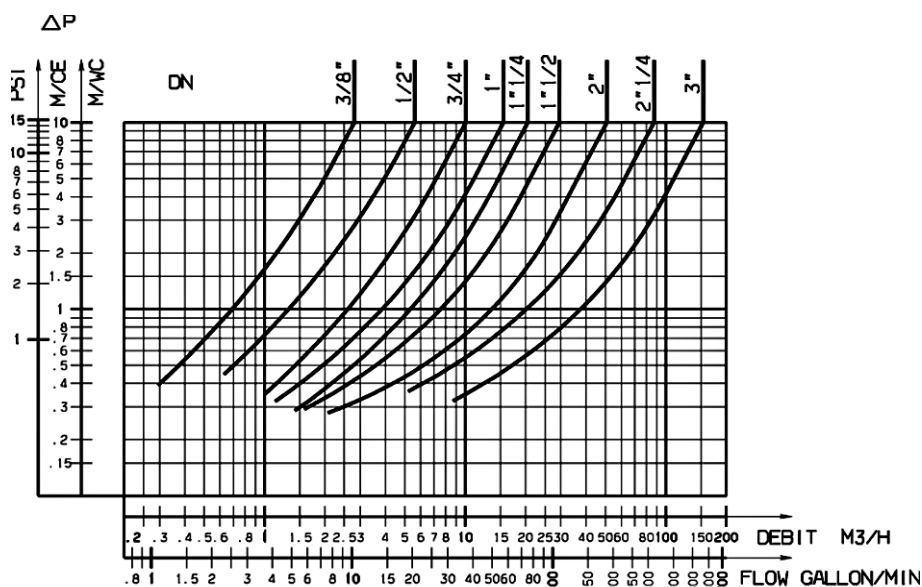
Spare parts list and materials

Nb	Description	Materials	EURO	ANSI
1	O-RING	EPDM		
2	CASING DN 3/8"	Aluminium	EN AC-AISI7Mg0.3	
	DN 1/2" to 3"	Cast iron + epoxy	EN-GJL-250	ASTM A 48 35 B
3	SEAT DN 3/8"	Aluminium	EN AW-AlCu4Mg5Si	
	DN 1/2" to 3"	Stainless steel	CB7Cu-1	
4	CUPEL DN 3/8"	Aluminium	EN AW-AlCu4Mg5Si	
	DN 1/2" to 2" ^{1/2}	Stainless steel	X6Cr17	AISI 430
	DN 3"	Brass	CuZn39Pb3	
5	MEMBRANE	NR		
6	SCREW	Stainless steel	X5Cr-Ni18-10	AISI 304
7	SCREW	Stainless steel	X5Cr-Ni18-10	AISI 304
8	BOLT	Stainless steel	X5Cr-Ni18-10	AISI 304
9	BOLT	Galvanised steel		



Working principle

DN		Opening pressure in mm/WC	Kv	ζ
"	mm			
3/8	12	Near 0	2,80	2,00
1/2	15		5,60	2,50
3/4	20		10,00	2,50
1	25		15,50	2,50
1 ^{1/4}	32		20,50	3,80
1 ^{1/2}	40		29,30	4,60
2	50		50,70	3,80
2 ^{1/2}	65		87,00	2,20
3	80		153,00	2,70



Socla can accept no responsibility for possible errors in catalogue, brochures and other printed material. Socla reserve the right to alter its products without notice. This also applies to products already agreed. All trademarks in this material are the property of the respective companies. All right reserved.

Socla SAS

365 rue du lieutenant Putier
71530 VIREY LE GRAND
Postal address : BP 10273
71107 CHALON SUR SAONE Cedex

Tel : 33 3 85 97 42 52
Fax : 33 3 85 97 97 42
<http://www.socla.com>
e-mail: commerfr@socla.com