

Technical data sheet

Type 901

Non return valve EB

System 01

Applications and special features



- Operates in any position
- Minimum head loss
- Silent, robustness
- Does not generate hammering
- Closing system : axial guiding with return spring
- Excellent sealing at high as well as at low pressure ensured by a specially designed lip-ring seal.

Technical description

DN		PFA (bar)	PS (bar)				Cat.	References	Vvs-nr
C	"		L1	L2	G1	G2			
10	3/8	10	10	10	10	10	3.3	149B 2011	
10	3/8	10	10	10	10	10	3.3	149B 2011G	
10	3/8	10	10	10	10	10	3.3	149B 3300*	
10	3/8	10	10	10	10	10	3.3	149B 3301*	
10	1/2	10	10	10	10	10	3.3	149B 3302*	
10	1/2	10	10	10	10	10	3.3	149B 2131*	
10	3/4	10	10	10	10	10	3.3	149B 2132*	

- **Connection** : To be inserted
- **Permissible operating pressure PFA - water-** (for supply, distribution and disposal of water) : See table
- **Maximum permissible pressure PS - other mediums** : See table

- **θ** : Mini. -10 °C
Maxi. 80 °C

- **Mediums** : Clear liquids, gas

- **Approvals** : ACS

- **Other approvals available** : **kiwa**
Please consult us

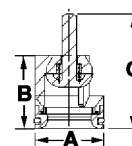
- **International construction Standards** :
NF Antipollution NF EN13959 - EN1717

Important notice:

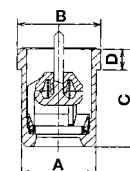
The indicated pressure for the different categories of fluids (L1/L2/G1/G2) is under no condition a guarantee of use. Therefore, it is essential to validate the use of products under given operating conditions. at your disposal in the price list (+ see additional explanations on the detachable slip).

Overall dimensions

Ref.	DN	A	Bore	B mm	C mm	D mm	Weight kg
2011	3/8	15	15,05	17,0	25,0	-	0,002
2011	3/8	15	15,05	16,0	25,0	-	0,002
3300	3/8	15	15,05	15,0	21,5	-	0,002
3301	3/8	15	15,05	16,0	22,5	-	0,002
2130	1/2	18,3	18,05	20,0	19,0	3,0	0,005
3302	1/2	18,3	18,05	20,0	17,5	3,0	0,005
2131	3/4	22	22,5	25,0	25,0	7,0	0,010
2132	1	28,5	28,8	32,0	38,0	8,0	0,015



DN 3/8"

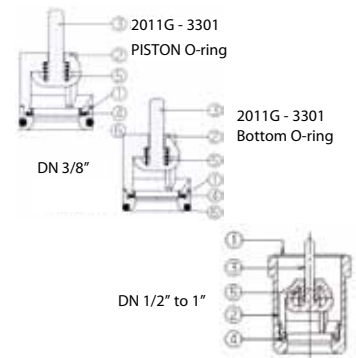


DN 1/2" to 1"

Technical data sheet Type 901 - EB antipollution non-return valve

Spare parts list and materials

Nr	Description	Materials	EURO	ANSI
1	CASING DN 3/8" DN 1/2" DN 3/4" - 1"	POM (Polyacetal) PA 11 (Polyamide) ou POM (Polyacetal) PPO (Polyphenylene oxyde)		
2	GUIDE	POM (polyacetal)		
3	CLOSING SYSTEM	POM (polyacetal)		
4	SEAL for ref. 3302	NBR (Nitrile) EPDM		
5	SPRING	Stainless steel	X10CrNi18-8	AISI 302
6	SEAL	EPDM		

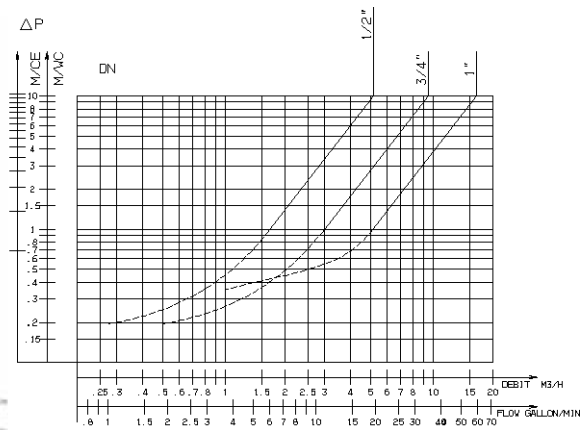
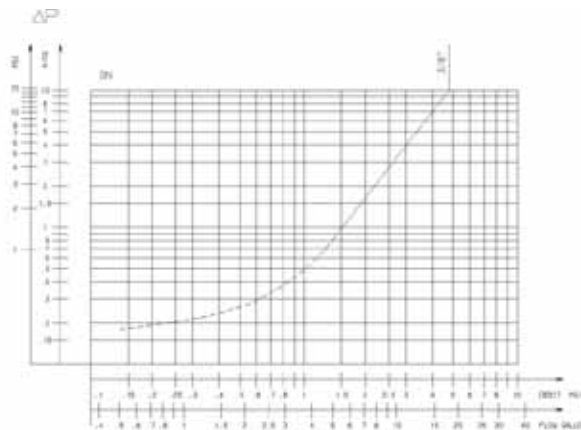


Working principle

DN	Opening pressure (in mm WC)	Kv	ζ
"		m ³ /H	
3/8	between 50 and 200	4,8	0,68
3/8		4,8	0,68
3/8		4,8	0,68
3/8		4,8	0,68
1/2		5,2	2,90
1/2		5,2	2,90
3/4		9,5	2,80
1		16,2	2,70

Directions for use :

- Solid line : Valve completely open
- Dotted line : opening stage of valve



Socla can accept no responsibility for possible errors in catalogue, brochures and other printed material. Socla reserve the right to alter its products without notice. This also applies to products already agreed. All trademarks in this material are the property of the respective companies. All right reserved.

Socla SAS

365 rue du lieutenant Putier
71530 VIREY LE GRAND
Postal address : BP 10273
71107 CHALON SUR SAONE Cedex

Tel : 33 3 85 97 42 52
Fax : 33 3 85 97 97 42
<http://www.socla.com>
e-mail: commer@socla.com