

## Technical data sheet

# Type AB900

## Relief valve for water distribution systems

### Applications and special features



- For protecting the pipes against overpressure, (water hammering), whatever its origin, by evacuating the water in excess straightaway.
- The mechanism consists of a spring which is adjustable to the correct weight to hold the valve firmly in place against the seat, keeping it watertight.
- When a pressure wave occurs, this causes compression of the spring and the opening of the valve to allow evacuation of the water.
- It should be noted that the stem is designed to compensate for defect of alignment which could be caused by hydraulic pressure on the valve and by the force of the spring.

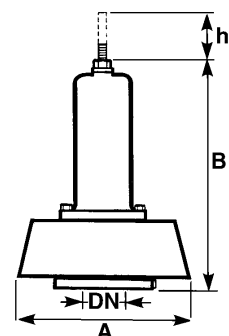
### Technical description

DN "	mm	PN	PFA bar	References	Vvs-nr
2 <sup>1/2</sup>	65	10/16	16	149B 5892	
3	80	10/16	16	149B 5893	
4	100	10/16	16	149B 5894	
5	125	10/16	16	149B 5895	
6	150	10/16	16	149B 5896	
8	200	10	10	149B 5897A*	
8	200	16	16	149B 5897C*	
3 settings available (except DN200): A : 1 to 7 bar B : 6 to 12 bar ; C : 10 to 16 bar			* DN 200 : 2 settings available Flanges PN10 spring A : 1 to 10 bar Flanges PN16 spring C : 9 to 16 bar		
2 <sup>1/4</sup>	60	25	25	149B 009172	
2 <sup>1/2</sup>	65	25	25	149B 009174	
3	80	25	25	149B 009175	
4	100	25	25	149B 009176	
5	125	25	25	149B 009178	
6	150	25	25	149B 009179	
Setting available : 16 to 25 bar					

- **Connection** : Flanges drilled PN see table
- **Permissible operating pressure PFA - water-** (for supply, distribution and disposal of water) : See table
- **θ** : Mini. 0 °C  
Maxi. 60 °C
- **Mediums** : clear liquids
- **Approvals** : ACS
- **International construction Standards** :  
Flange drilling according to EN1092-2

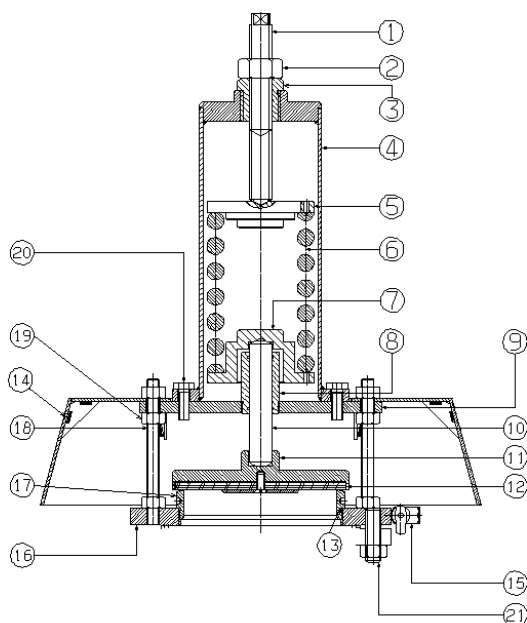
### Overall dimensions

DN	A	B	h	Weight	
"	mm	mm	mm	kg	
2 <sup>1/4</sup>	60	380	510	120	30
2 <sup>1/2</sup>	65	380	510	120	30
3	80	380	510	120	32
4	100	400	520	120	36
5	125	570	550	130	65
6	150	570	550	150	80
8	200	690	700	180	120



## Technical data sheet    Type AB900 - Relief valve

### Spare parts list and materials



N°	Description	Materials	EURO	ANSI
1	REGULATING SCREW	Stainless steel	X5CrNi18-10	AISI 304
2	NUT	Stainless steel	X5CrNi18-10	AISI 304
3	UPPER NUT	Bronze	CuSnZn4Pb7-B	
4	CAP DN 60 - 125	Cast iron + Epoxy	EN-GJL-250	ASTM A 48 35 B
	DN150-200	Steel + Epoxy		
5	UPPER GUIDE	Steel + Epoxy		
6	SPRING	Steel + Epoxy		
7	LOWER GUIDE	Steel + Epoxy		
8	BEARING	Bronze	CuSnZn4Pb7-B	
9	UPPER FLANGE	Steel + Epoxy		
10	SHAFT	Stainless steel	X2CrNi18-9	AISI 304L
11	CLOSING SYSTEM	Steel + Epoxy		
12	SEAL	Polyurethane		
13	O-RING	EPDM		
14	COVER	Steel + Epoxy		
15	BALL VALVE M/F	Chrome plated brass		
16	LOWER FLANGE	Steel + Epoxy		
17	SEAT	Stainless steel	X5CrNiMo17-12-2	AISI 316
18	THREADED STEM	Stainless steel	X5CrNi18-10	AISI 304
19	NUT	Stainless steel	X5CrNi18-10	AISI 304
20	SCREW	Stainless steel	X5CrNi18-10	AISI 304
21	THREADED STEM	Stainless steel	X5CrNi18-10	AISI 304

Socla can accept no responsibility for possible errors in catalogue, brochures and other printed material. Socla reserve the right to alter its products without notice. This also applies to products already agreed. All trademarks in this material are the property of the respective companies. All right reserved.

### Socla SAS

365 rue du lieutenant Putier  
71530 VIREY LE GRAND  
Postal address : BP 10273  
71107 CHALON SUR SAONE Cedex

Tel : 33 3 85 97 42 52  
Fax : 33 3 85 97 97 42  
<http://www.socla.com>  
e-mail: [commerfr@socla.com](mailto:commerfr@socla.com)