

Volute pumps

for heat carrier oils up to 350 °C

SIHI *SuperNova*



ZTN 032-125 . . . 200-500

TECHNICAL DATA

Output:	max. 1000 m ³ /h
Delivery head:	max. 95 m
Speed:	max. 3600 rpm
Temperature:	max. 350 °C
Casing pressure:	PN 16
Shaft sealing:	radial seal rings or mechanical seal
Flange connection:	DIN EN 1092-2 PN 16 / 25 ¹⁾
Direction of rotation:	clockwise, when looking at the pump from the drive end



APPLICATION

Volute pumps of the series ZTN have been specially developed for handling of mineral and synthetic heat transfer oils. The pumps may be used in installations with positive or negative suction pressure.

Especially to be emphasised is the application in plants of:

The chemical industry:

heating of agitators, reactors, drying plants, polymerisation plants, plants for conveying high-viscous products and producing plastic materials and synthetic fibres.

The rubber and plastic industry:

heating of calendars, melting pots, power presses for plastics, automatic injection moulding machines, production of PVC adhesive tape.

The food industry:

heating of baking and fish-frying ovens, distillation of fatty acids and glycerine, fat softening plants, production of potato chips and milk powder.

The paper industry and laundries:

calendar rolls, production of corrugated cardboard, heating of washing machines, mangles and dryers.

DESIGN

Horizontal, single-stage volute pumps with the dimensions and nominal ratings to 24255/EN 733 in back pull out design* which permits the removal of the complete bearing unit toward the drive end without removing the pump casing from the pipe work. If a spacer coupling is installed it is also unnecessary to disconnect the motor.

The programme comprises 38 pump sizes, but only three shaft assemblies are required owing to the unit construction system. Within each shaft assembly, shafts, shaft sealing, impeller fastenings, bearing bracket and bearing covers are interchangeable.

The DIN 4754 regulations are complied with.

Should heat carrier seepage occur from the shaft seal, it is ensured that the leakage will be drained off and collected completely.

1) from size 150315 to 200500

* due to additional sizes the performance range is increased to higher output rates.

CONSTRUCTION

Casing pressure:

Maximal 16 bar from 0 °C to 120 °C
Maximal 13 bar from 120 °C to 300 °C
Maximal 10 bar from 300 °C to 350 °C
Intermediate values can be obtained by interpolation.

Please note:

Technical rules and safety regulations.

Max. Casing pressure = inlet pressure + zero head
Admissible inlet pressure (system pressure) = 5 bar when using shaft sealing 002.

Admissible inlet pressure = admissible casing pressure when using shaft sealing GBC.

Flanges location:

Axial suction flange, discharge flange radially upwards.

Flanges:

The flanges comply with DIN EN1092-2/PN 16, resp. PN 25. Flanges drilled to according to ANSI (previous ASA) 150 can be supplied.

Hydraulic:

Designation of this construction type: A, B, D

Bearing:

One grease-lubricated grooved ball bearing resp. 2 inclined ball bearings (the first grease filling is made in the factory) and one internal liquid flushed sleeve bearing.

Designation of this construction type: ·A

Direction of rotation:

Clockwise, when looking at the pump from the drive end.

Shaft sealing:

Code 002: several radial shaft seal rings arranged in series; uncooled

Code GBC: unbalanced bellows mechanical seal
seal face materials cast chromium steel/carbon elastomer FPM (Viton)

Material design:

ITEM	COMPONENTS	MATERIAL						EXECUTION	
		EN	EN	DIN	DIN	US denomination		1B	2B ¹⁾
		mat.-number	mat.- denomination	mat.-number	mat.- denomination	ASTM Standard	AISI		
10.20	Volute casing	EN-JS 1025	EN-GJS-400-18-LT	0.7043	GGG-40.3	A 395		X	
		1.0619	GP 240 GH	1.0619	GS-C 25	A 216 Gr WCB			X
16.10	Casing cover	EN-JS 1025	EN-GJS-400-18-LT	0.7043	GGG-40.3	A 395		X	
		1.0619	GP 240 GH	1.0619	GS-C 25	A 216 Gr WCB			X
21.00	Shaft	1. 1191	C 45 E	1.1191	Ck 45 K + N	A 576 Gr 1045	1045	X	
		1.4021	X 20 Cr 13	1.4021	X 20 Cr 13	A 276 Type 420	420	X ²⁾	X
23.00	Impeller	EN-JL 1040	EN-GJL 250	0.6025	GG-25	A 278 Class 30		X	X
33.00	Bearing bracket								
36.00	Bearing cover								
42.13	Radial seal rings	FPM (Viton)						X	X
43.30	Mechanical seal	chrome cast / carbon FPM (Viton)						X	X
44.10	Casing for mech. seal	1. 1191	C 45 E	1.1191	Ck 45 K + N	A 576 Gr 1045	1045	X	X
44.11	of the shaft casing								
54.51	Sleeve bearing	carbon						X	X

1) For sizes 200400 and 200500.

2) For sizes 150315, 150400, 150500, 200250 and 200315.

Casing gasket:

The casing is sealed by flat gaskets of graphite. Designation of this construction type: 2

Motor power:

Using commercial electric motors, type of construction IM B3.

To determine the drive power we recommend the following safety margin:

up to 4 kW: 25% 4 to 7,5 kW: 20% above 7,5 kW: 15%

The following maximum speeds are to be observed:

max. speed n = 3600 rpm	size	max. speed n = 3000 rpm	size	max. speed n = 1800 rpm	size	max. speed n = 1500 rpm	size
t = 120 °C	032125 050200	t = 120 °C	032250	t = 120 °C	040315 150315	t = 120 °C	150500
	032160 065125		040250		050315 150400		200315
	032200 065160		050250		065315 200250		200400
	040125 065200		065250		080315		
	040160 080160		080250		100315		
	040200 080200		100250		125250		
	050125 100160		125200		150200		
	050160 100200		150250		150250		
t = 350 °C	032125 050200	t = 350 °C	040250	t = 350 °C	040315 150250	t = 350 °C	150315
	032160 065125		050250		050315		150400
	032200 065160		065200		065315		150500
	040125 080200		065250		080315		200250
	040160 100160		080160		100315		200315
	040200		080250		125200		200400
	050125		100200		125250		200500
	050160		100250		150200		

The maximum speeds result from the permissible peripheral speeds of the impellers or from the shaft load admissible at higher temperatures, respectively.

Bearing bracket / pump size:

Bracket 25	032125 032160 032200 032250 040125 040160 040200 040250 050125 050160 050200 050250 065125 065160 065200 080160
Bracket 35	040315 050315 065250 065315 080200 080250 080315 100160 100200 100250 100315 125200 125250 150200 150250
Bracket 45	150315 150400 150500 200250 200315 200400 200500

General remarks:

For horizontal volute pumps CLOSE COUPLED construction with STANDARD motor for nominal performances and flange connections as per EN 733 refer to our series **ZTK**.

For INLINE pumps with the same drive unit, consisting of bearing bracket with bearing, stub shaft and mechanical seal, casing cover, impeller and impeller nut, refer to our series **ZTI**.

For equipping hot media systems a complete programme is available for a flow range between 1-600 m³/h consisting of the range:

ZEN volute pumps to EN 22858, t_{max} 230 °C PN 40. Hot water design.

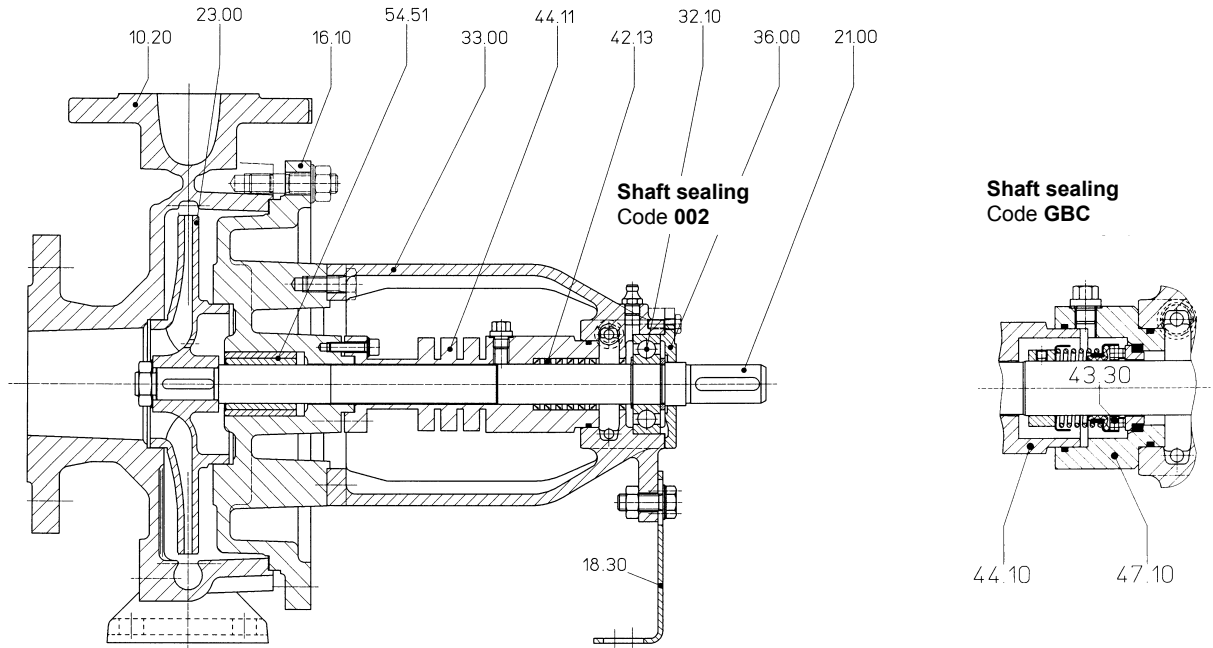
ZDN volute pumps to EN 22858, t_{max} 207 °C PN 25. Hot water design.

ZHN volute pumps to EN 733, t_{max} 180 °C PN 16. Hot water design.

ZLI volute pumps to EN 733 as INLINE construction, t_{max} 150 °C PN 25. Hot water design.

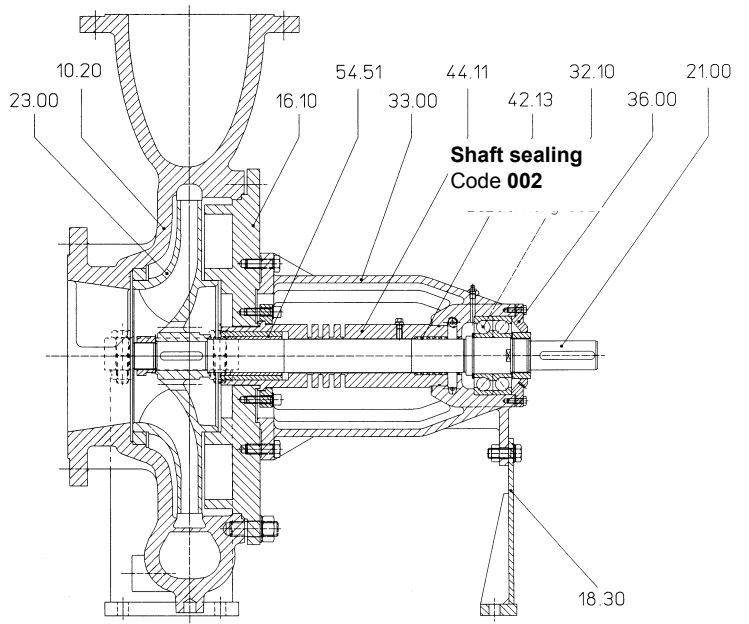
Technical documentation on these programmes will readily be supplied on request.

SECTIONAL DRAWING AND NOMENCLATURE
ZTN 032125 ... 150250

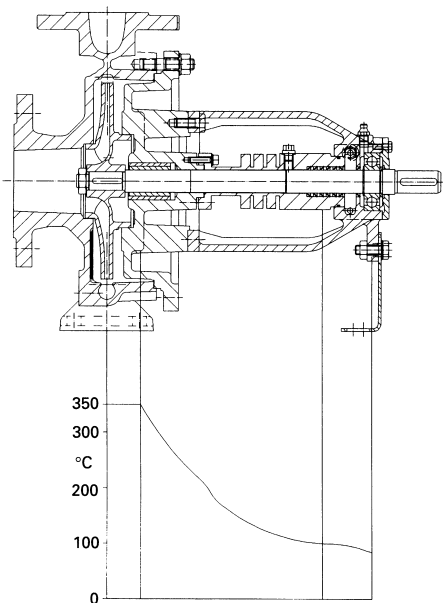


- 10.20 volute casing
- 16.10 casing cover
- 18.30 supporting foot
- 21.00 shaft
- 23.00 impeller
- 32.10 grooved ball bearing
- 33.00 bearing bracket
- 36.00 bearing cover
- 42.13 radial seal ring
- 43.30 mechanical seal
- 44.10 shaft seal casing
- 44.11 shaft seal casing
- 47.10 sealing cover
- 54.51 sleeve bearing

ZTN 150315 ... 200500



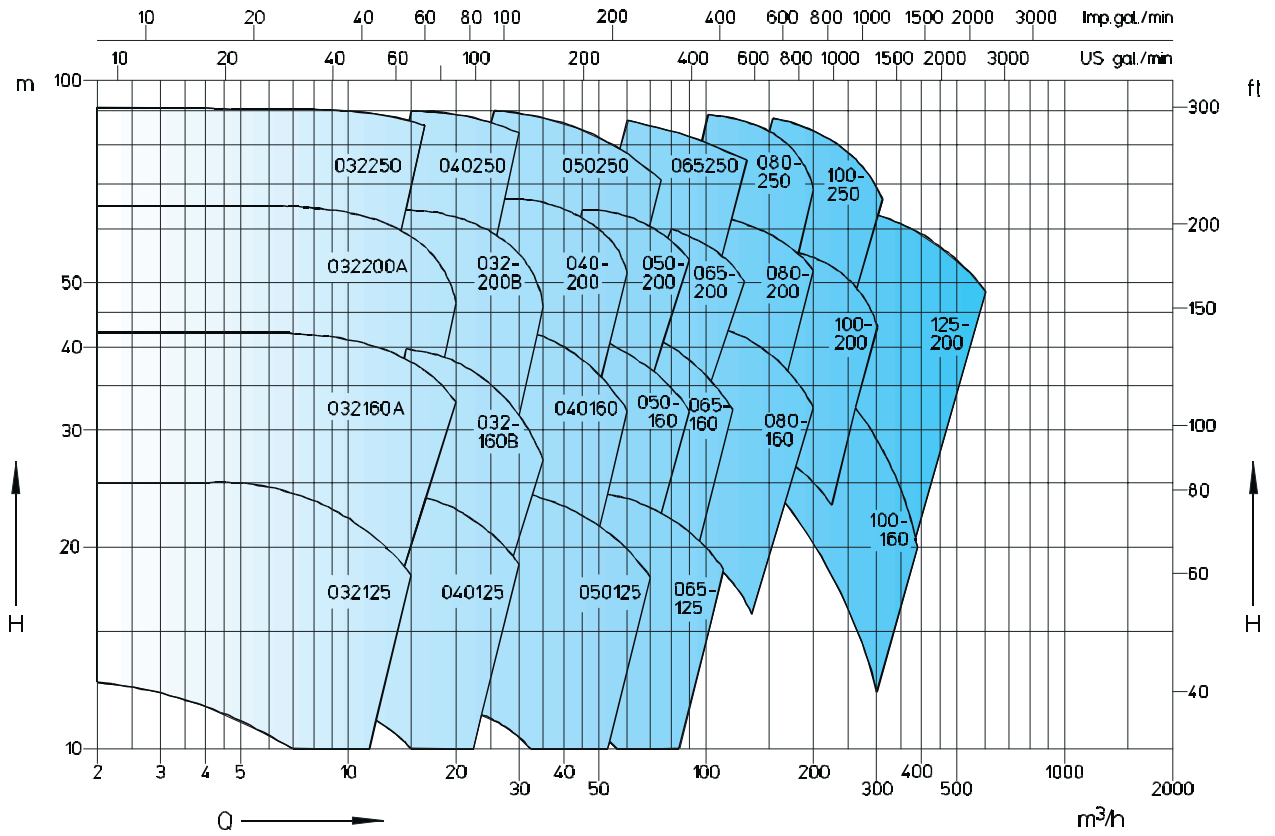
Heat barrier / shaft sealing / bearing



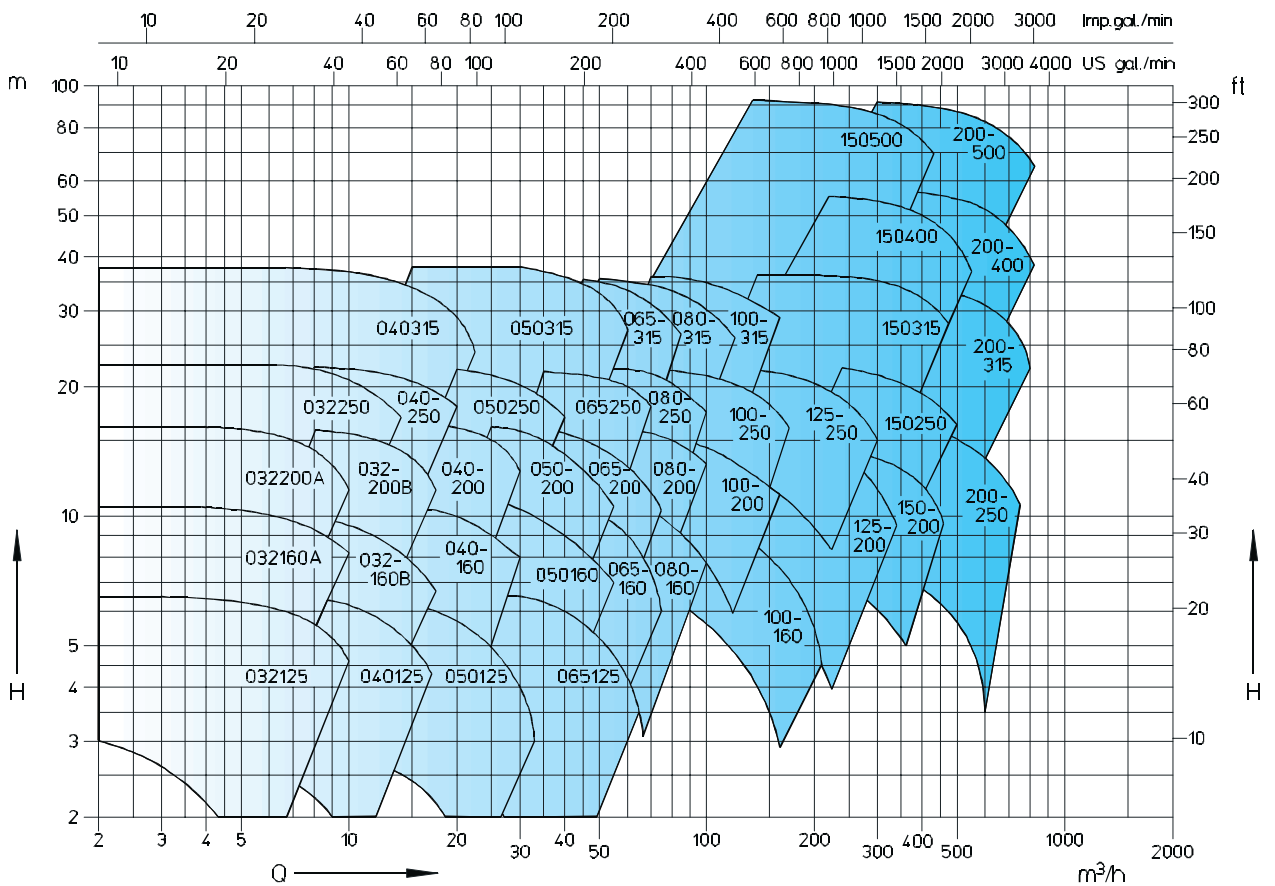
Heat transfer installations have achieved a high level of technical development. Consequently the requirements on pumps handling heat transfer oils have increased regarding operating safety, environmental protection, maintenance and operating costs. The Sterling SIHI ZTN pump, based on many years of experience and on the latest technical know-how, fully complies with these requirements.

By the heat barrier with integrated throttle gap, located behind the cover, a favourable drop in temperature toward the drive side is achieved (see opposite drawing). Heat losses at the product side are effectively prevented (saving of energy). The reduced temperature allows the use of simple, uncooled type of shaft sealing. As the lubricating properties of heat transfer oils for antifriction bearings are not specially good, a liquid flushed sleeve bearing has been fitted at the impeller side and an antifriction bearing, not in contact with the heat carrier, has been fitted behind the shaft sealing. By this arrangement noiseless operation and long working life have been achieved.

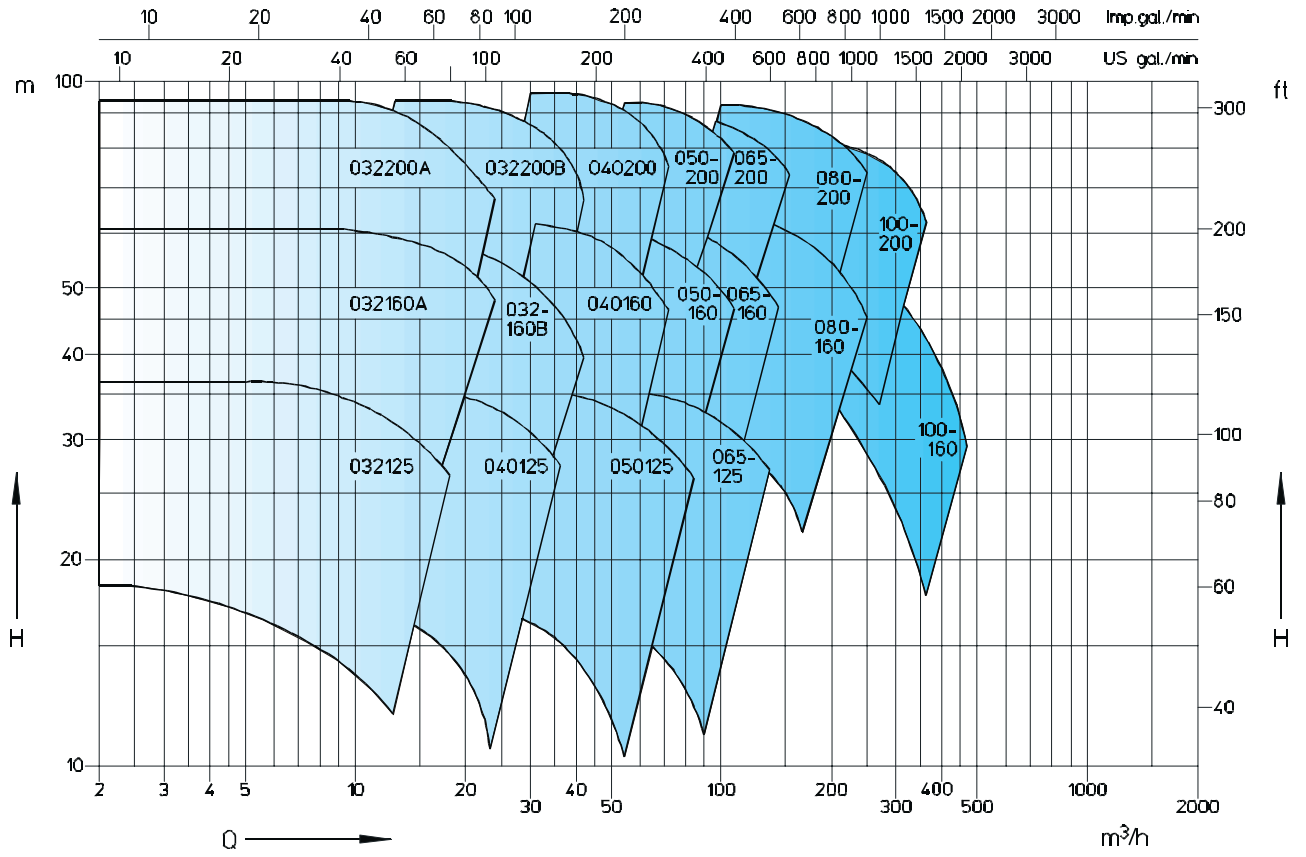
n=2900 1/min



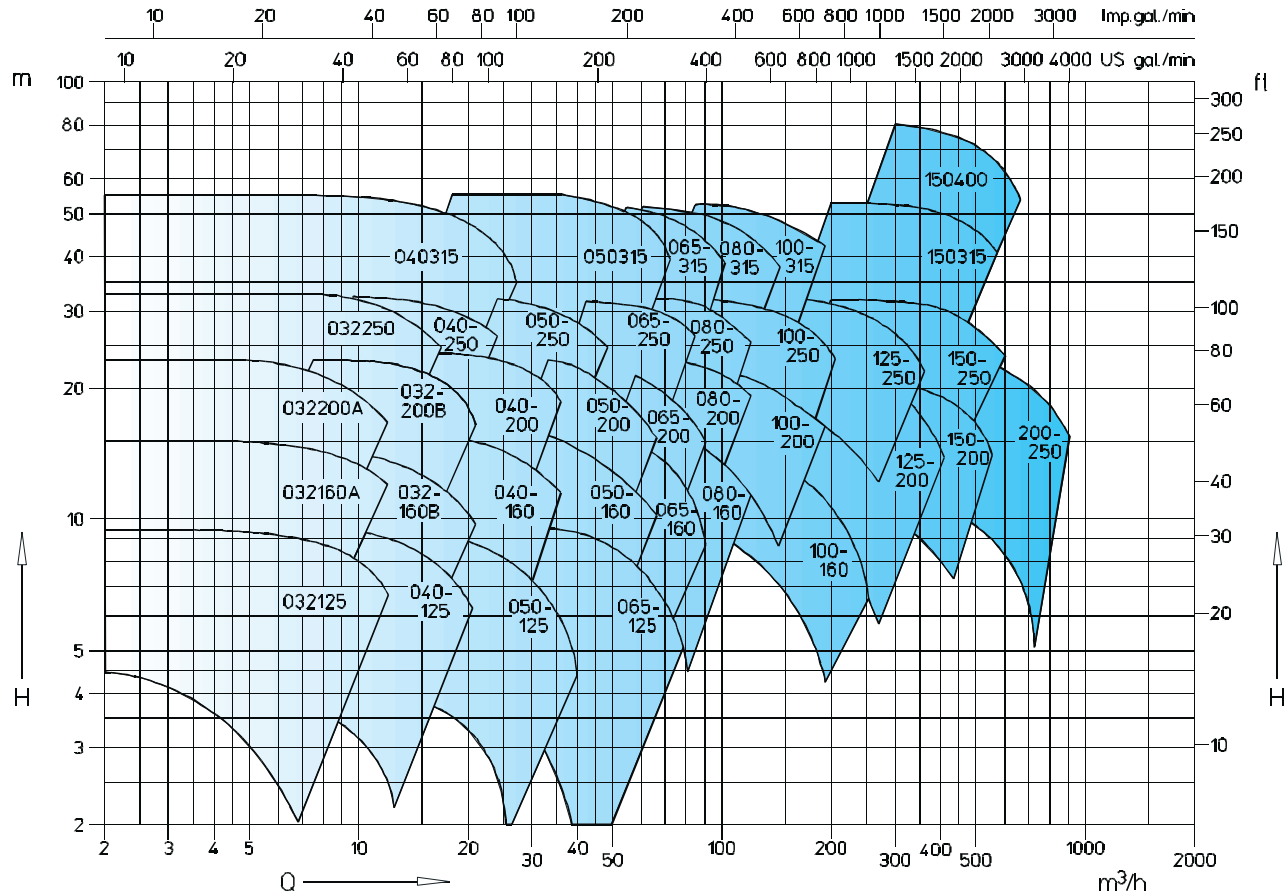
n=1450 1/min



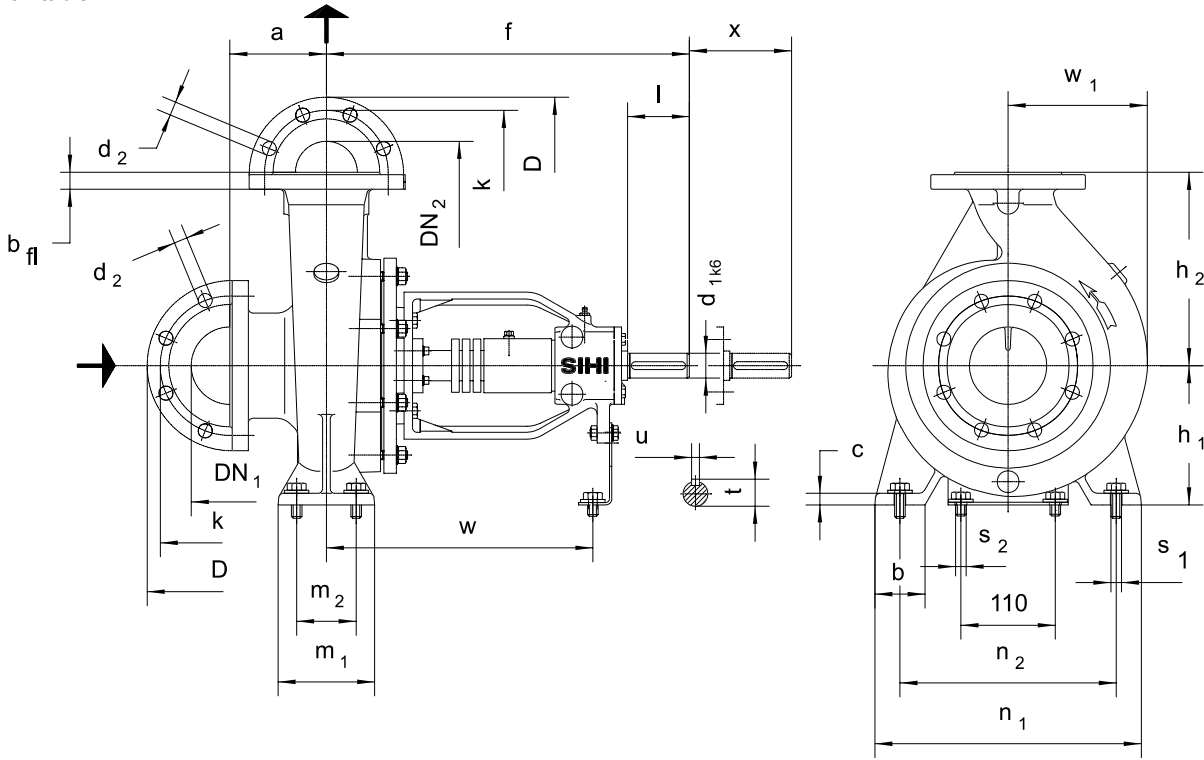
n=3500 1/min



n=1750 1/min



Dimension table



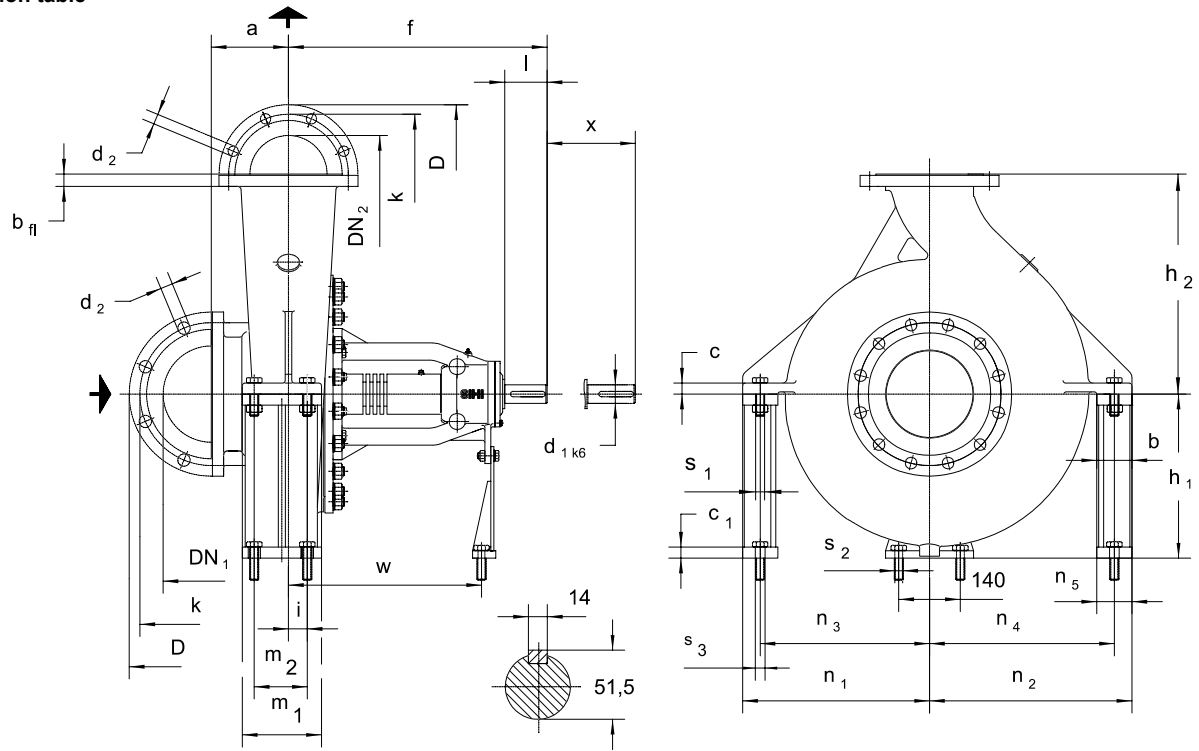
All dimensions in mm.

size	DN ₂	DN ₁	a	b	c	f	h ₁	h ₂	m ₁	m ₂	n ₁	n ₂	s ₁ *	s ₂ *	w	w ₁	x	d ₁	l	t	u	
032125	32	50	80	50	15	360	112	140	100	70	190	140	M12		267	105	100	24	50	27	8	
032160							132	160			240	190										120
032200							160	180			265	212										127
032250 ¹⁾							180	225			320	250										160
040125	40	65	80	50	18	470	112	140	100	70	210	160	M12		340	204	32	80	35	10		
040160							132	160			240	190									108	
040200			100	160			180	265	212	140												
040250			180	225			320	250	164													
040315 ¹⁾			125	65			345	280	204													
050125	50	80	100	50	15	360	132	160	100	70	240	190	M12		267	120	100	24	50	27	8	
050160							160	180			265	212										130
050200							180	225			320	250										150
050250							200	250			360	280										169
050315 ¹⁾							225	280			400	315										210
065125	65	80	100	65	15	360	160	180	125	95	280	212	M12		267	140	100	24	50	27	8	
065160							180	225			320	250										147
065200							200	250			360	280										166
065250							225	280			400	315										183
065315							250	315			450	350										220
080160	80	100	125	65	15	360	180	225	125	95	320	250	M12		267	165	100	24	50	27	8	
080200							200	250			345	280										180
080250							250	315			400	315										200
080315							280	350			450	350										235
100160 ¹⁾	100	125	140	80	18	470	200	280	160	120	360	280	M16		340	202	140	32	80	35	10	
100200							225	315			400	315										212
100250							250	350			450	350										242
100315							280	380			500	400										274
125200 ¹⁾							315	400			550	450										140
125250	355	450	600	500	120																	
150200 ¹⁾	150	200	160	100	20	470	280	400	200	150	550	450	M20		274	190	100	80	35	10		
150250 ¹⁾							355	450			600	500									170	

¹⁾Transnorm pump sizes, not included in DIN 24255/ EN 733. Flanges drilled according to ANSI 150 can be supplied.

*Slots suitable for bolts with dimensions indicated. Bolts are not included in the bare shaft pump standard scope of supply.

Dimension table



All dimensions in mm.

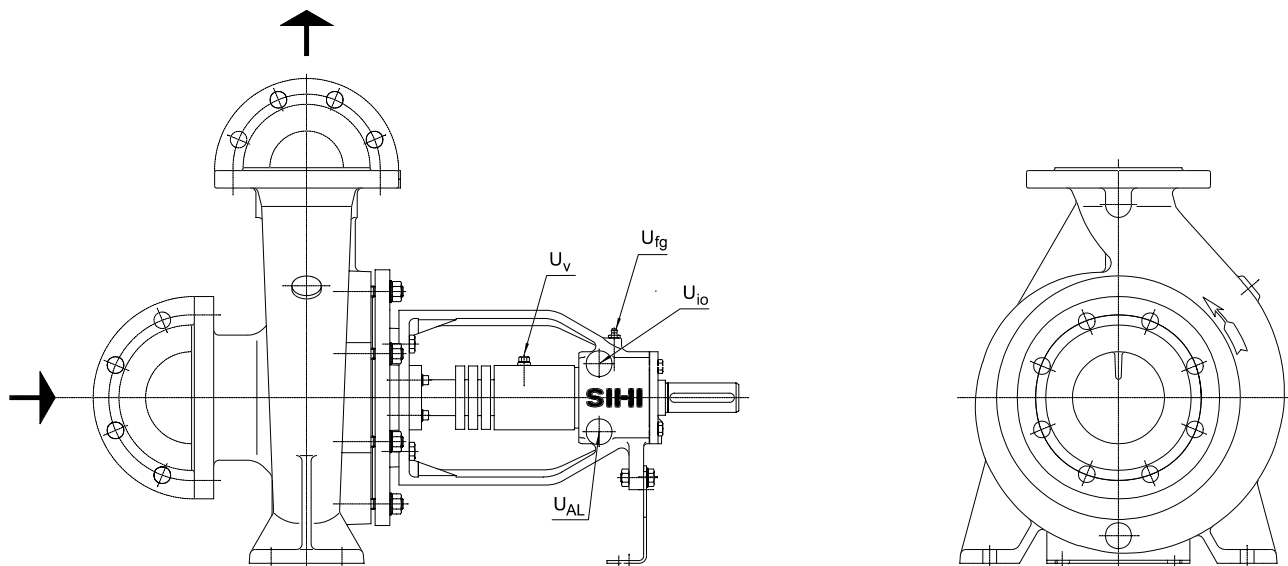
size	DN ₂	DN ₁	a	f	h ₁	h ₂	m ₁	m ₂	i	l	x	d ₁	w	c	c ₁	s ₁	s ₂ *	s ₃ *	n ₁	n ₂	n ₃	n ₄	b, n ₅
150315 ¹⁾	150	200	180	670	315	400	160	100	35	110	180	48	500	25	23	M20	M12	M20	320	360	290	330	60
150400 ¹⁾					355	450											380		420	340	380		
150500 ¹⁾					400	500											425		460	385	420		
200250 ¹⁾	200	250	250	670	335	425	180	120	45	110	180	48	500	25	23	M20	M12	M20	340	410	300	370	80
200315 ¹⁾			355		450	360											420		320	380			
200400 ¹⁾			375		500	400											480		360	440			
200500 ¹⁾			425		560	220											160		50	30	475	575	

¹⁾Transnorm pump sizes, not included in DIN 24255/ EN 733. Flanges drilled according to ANSI 150 can be supplied.

*Slots suitable for bolts with dimensions indicated. Bolts are not included in the bare shaft pump standard scope of supply.

Flange connection according to DIN EN 1092-2 PN 16 Execution material 1B	DIN EN 1092-2 PN 25													
	Execution material 1B										Execution material 2B			
DN ₂ /DN ₁	32	40	50	65	80	100	125	150	200	150	200	250	200	250
D	140	150	165	185	200	220	250	285	340	300	360	425	360	425
k	100	110	125	145	160	180	210	240	295	250	310	370	310	370
b _{fl}	18	19	19	19	19	19	19	19	20	20	22	24,5	30	32
Tolerances														
d ₂ x number	19x4	19x4	19x4	19x4	19x8	19x8	19x8	23x8	23x12	28x8	28x12	31x12	26x12	30x12

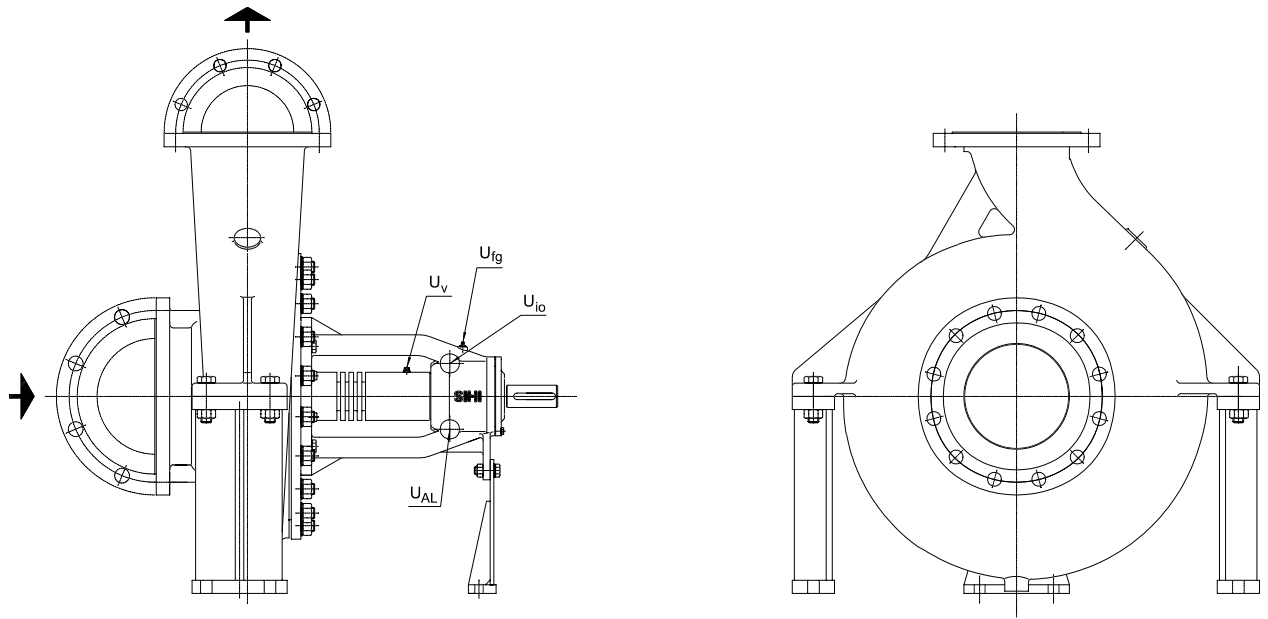
Connections for bearing brackets 25 and 35



- U_{fg} : Grease filling connection.
- U_{io} : Sealing liquid connection.
- U_{AL} : Drainage for leakage.
- U_v : Vent connection

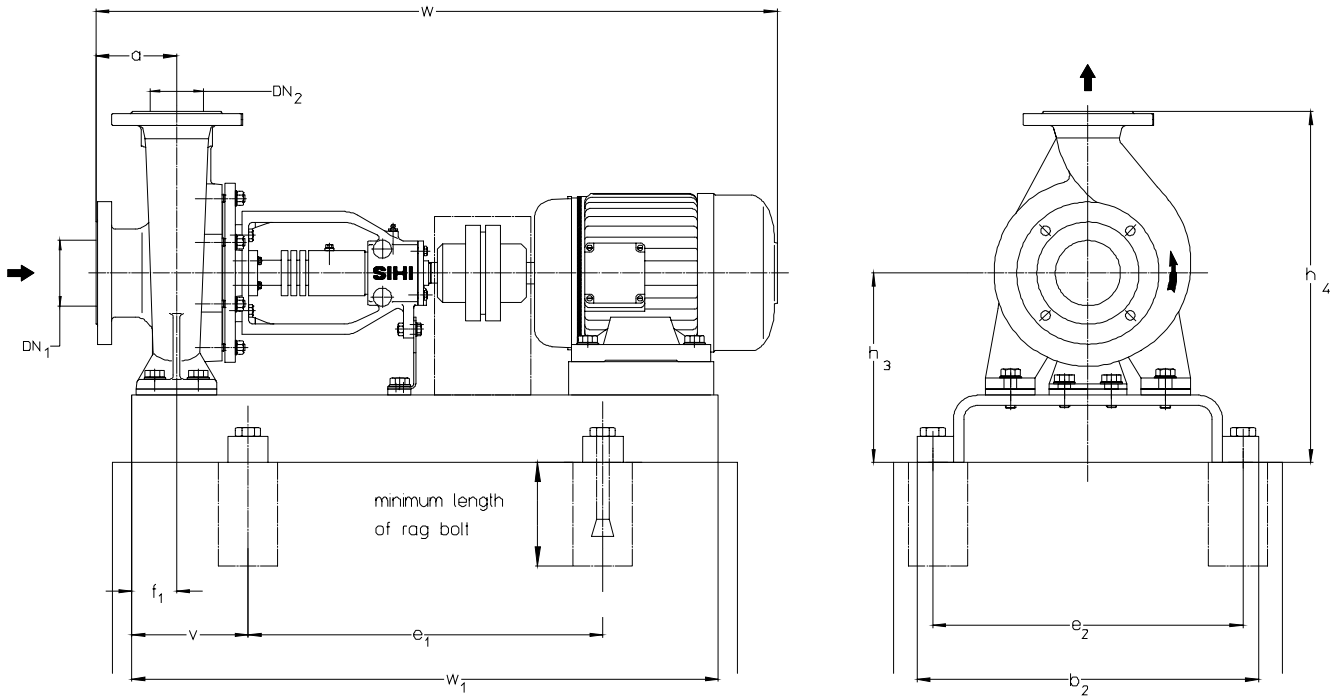
Size	U _{fg}	U _v	U _{io}	U _{AL}
032125				
032160				
032200				
032250				
040125				
040160				
040200				
040250				
040315				
050125				
050160				
050200				
050250				
050315				
065125				
065160	G 1/8	G 1/8	G 1/4	G 1/4
065200				
065250				
065315				
080160				
080200				
080250				
080315				
100160				
100200				
100250				
100315				
125200				
125250				
150200				
150250				

Connections for bearing bracket 45



- u_{fg} : Grease filling connection.
- u_{io} : Sealing liquid connection.
- u_{AL} : Drainage for leakage.
- u_v : Vent connection.

Size	u_{io}	u_v	u_{io}	u_{AL}
150315				
150400				
150500				
200250	G 1/8	G 1/8	G 1/4	G 1/4
200315				
200400				
200500				



Dimensions in mm.

Dimensional tolerances admissible (base plates) for welded parts according to DIN 8570 B

size	motor		base plate No.	coup-ling **	weight		DN ₂	DN ₁	a	b ₂	e ₁	e ₂	v	f ₁	h ₃	h ₄	w*	w ₁	rag bolt DIN 529
	size	kW			pump kg	Unit kg													
032125	71	0.25	S008	B68	32	51	32	50	80	297	400	265	120	60	152	292	682	640	M12x100
	71	0.37				52													
032160	71	0.37	S270	B68	41	69	40	65	80	360	420	320	115	60	197	357	716	650	M16x200
	80	0.55				72													
032200	80	0.55	S301	B68	39	70	40	65	80	360	420	320	115	60	197	357	716	650	M16x200
	80	0.75				70													
	90S	1.10				78													
032250	80	0.75	S383	B68	52	80	40	65	100	490	600	440	160	75	260	485	736	920	M20x400
	90S	1.10				103													
	90L	1.50				106													
040125	71	0.25	S270	B68	34	61	40	65	80	360	420	320	115	60	177	317	682	650	M16x200
	71	0.37				62													
040160	80	0.55	S301	B68	39	65	40	65	80	360	420	320	115	60	197	357	716	650	M16x200
	71	0.37				69													
040200	80	0.55	S301	B68	43	70	40	65	100	390	480	350	125	75	225	405	716	730	M20x400
	80	0.75				78													
	90S	1.10				79													
040250	80	0.55	S383	B68	57	82	40	65	100	390	480	350	125	75	225	405	736	730	M20x400
	90S	1.10				84													
	90L	1.50				111													
040315	100L	2.20	S434	B80	87	113	40	65	125	490	600	440	160	75	305	555	794	920	M20x400
	100L	3.00				123													
050125	100L	2.20	S434	B95	90	153	40	65	125	540	660	490	170	75	305	585	970	1000	M20x400
	112M	4.00				154													
050160	132S	5.50	S434	B95	90	199	40	65	125	540	660	490	170	75	305	585	1067	1000	M20x400
	132M	7.50				205													
050200	71	0.37	S270	B68	35	63	40	65	100	360	420	320	115	60	197	357	702	650	M16x200
	80	0.55				67													
	80	0.75				80													
050250	80	0.55	S301	B68	44	80	40	65	100	360	420	320	115	60	197	357	736	650	M16x200
	80	0.75				83													
	90S	1.10				79													
050315	80	0.55	S383	B68	43	82	40	65	100	390	480	350	125	75	225	405	794	730	M20x400
	80	0.75				84													
	90S	1.10				94													
050315	90L	1.50	S434	B80	57	113	40	65	125	490	600	440	160	75	260	485	835	920	M20x400
	100L	2.20				123													
050315	100L	3.00	S434	B95	90	124	40	65	125	540	660	490	170	75	305	585	856	1000	M20x400
	112M	4.00				157													
050315	112M	4.00	S434	B95	90	202	40	65	125	540	660	490	170	75	305	585	991	1000	M20x400
	132S	5.50				205													
050315	132M	7.50	S434	B95	90	205	40	65	125	540	660	490	170	75	305	585	1067	1000	M20x400
	132M	7.50				205													

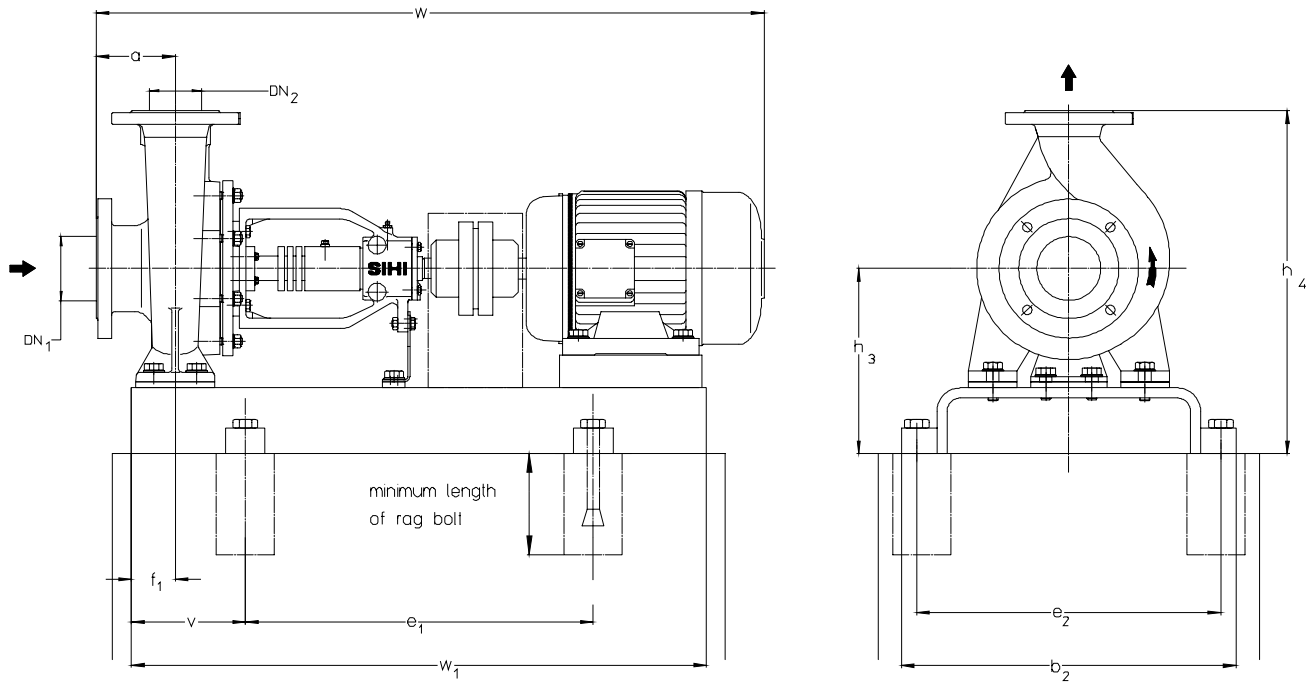
Foundation plan

n = 1450 rpm

size	motor		base plate No.	coupling **	weight		DN ₂	DN ₁	a	b ₂	e ₁	e ₂	v	f ₁	h ₃	h ₄	w*	w ₁	rag bolt DIN 529														
	size	kW			pump kg	Unit kg																											
065125	80	0.55	S342	B68	39	83	65	80	100	450	540	400	140	60	240	420	736	820	M20x400														
	80	0.75				86											794																
	90S	1.10				89											736																
80	0.75	45			92	440											794																
90S	1.10				94												835																
90L	1.50				105																												
065160	100L	2.20	S383	B80	48	102			80	100	490	600	440	160	75	260	485	794		920	M20x400												
	90L	1.50				104												835															
	100L	2.20				114												856															
	100L	3.00				115												945															
	112M	4.00				161												966															
065200	100L	2.20	S434	B80	78	162					100	125	540	660	490	170	90	280		530		1042	1000	M24x400									
	100L	3.00				190	1067																										
	112M	4.00				231	1093																										
	132M	5.50				234	1185																										
065250	132S	5.50	S486	B95	94	250	125	610					610	840	550	205	90	300	550	1247		1250	M24x400										
	132M	7.50				280														1067													
	160M	11.00				231														1093													
	160L	15.00				234			1185																								
065315	160L	15.00	S486	B110	94	250			125	610			610	840	550	205	90	300	550	1247	1250	M24x400											
	132S	5.50				231														1067													
	132M	7.50				234														1093													
	160M	11.00				250														1185													
080160	80	0.75	S383	B68	51	102					80	100	490	600	440	160	75	260	485	761	920			M20x400									
	90S	1.10				105														819													
	90L	1.50				107														860													
	100L	2.20				118														929													
	100L	3.00				127	970																										
	080200	100L		2.20	S434	B80	71	137					100	125	540	660	490	170	90	280			530		1067	1000	M24x400						
		100L		3.00				183																	970								
		112M		4.00				192																	991								
		132S		5.50				193	1067																								
	080250	100L		3.00	S486	B80	84	221	125	610					610	840	550	205	90	300		580	1093		1250	M24x400							
112M		4.00	224	1067																													
132S		5.50	241	1093																													
132M		7.50	244	1185																													
080315	132S	5.50	S486	B95	104	260	125	610			610	840			550	205	90	350	665	1247	1250	M24x400											
	132M	7.50				290														1067													
	160M	11.00				244														1093													
	160L	15.00				260														1185													
100160	100L	2.20	S434	B80	80	163					100	125	540	660	490	170	90	280	560	971	1000		M20x400										
	100L	3.00				164														992													
	112M	4.00				192														1068													
	132S	5.50				162														971													
	100L	2.20				S486			B80	79										163				125	150	540	660	490	170	90	280	560	992
100L	3.00	191	1068																														
112M	4.00	194	1094																														
132S	5.50	198	1200																														
132M	7.50	226	1082																														
100200	132M	7.50	S486	B95	89	229	125	150	610	840			550	205	90	325	605	1108	1250	M24x400													
	160M	11.00				245												1200															
	160M	11.00				262												1262															
	160L	15.00				292					1324																						
100250	160L	15.00	S486	B110	106	304			125	150	610	840	550	205	90	350	665	1108	1250		M24x400												
	180M	18.50				320												1108															
	180L	22.00				242												1200															
	180L	22.00				258												1262															
125200	132M	7.50	S486	B95	102	288					125	150	610	840	550	205	90	350	705			1200	1250	M24x400									
	160M	11.00				249																1200											
	160L	15.00				265																1262											
125250	132M	7.50	S486	B110	109	295							125	150	610	840	550	205	90			350	705		1200	1250	M24x400						
	160M	11.00				278	1108																										
	160L	15.00				294	1200																										
150200	160L	15.00	S605	B95	120	323	150	200							730	840	670	190	110	380		780	1128		1120	M24x400							
	180M	18.50				335																	1220										
	180L	22.00				351			1282																								
	200L	30.00		395		1344																											
	160L	15.00		S606		B125			134	337					150	200	730	840			670		190					110	380	780	1346	1250	M24x400
	180M	18.50								339																					1404		
180L	22.00	377	1482																														
200L	30.00	421	1544																														
225S	37.00	S606	B140	134	467	150				200	730	840					670	190	110	380	780	1402	1250	M24x400									
225M	45.00				487								1469																				
150315																																	
150400																																	
150500																																	
200250																																	
200315																																	
200400																																	
200500																																	

Foundation plans with base plates and fittings on request

* Motor protection type IP 55, dimensions depend on the motor manufacturer. Some sizes are not corresponding to the drawing in small details. Foundation plan for 60 Hz on request.



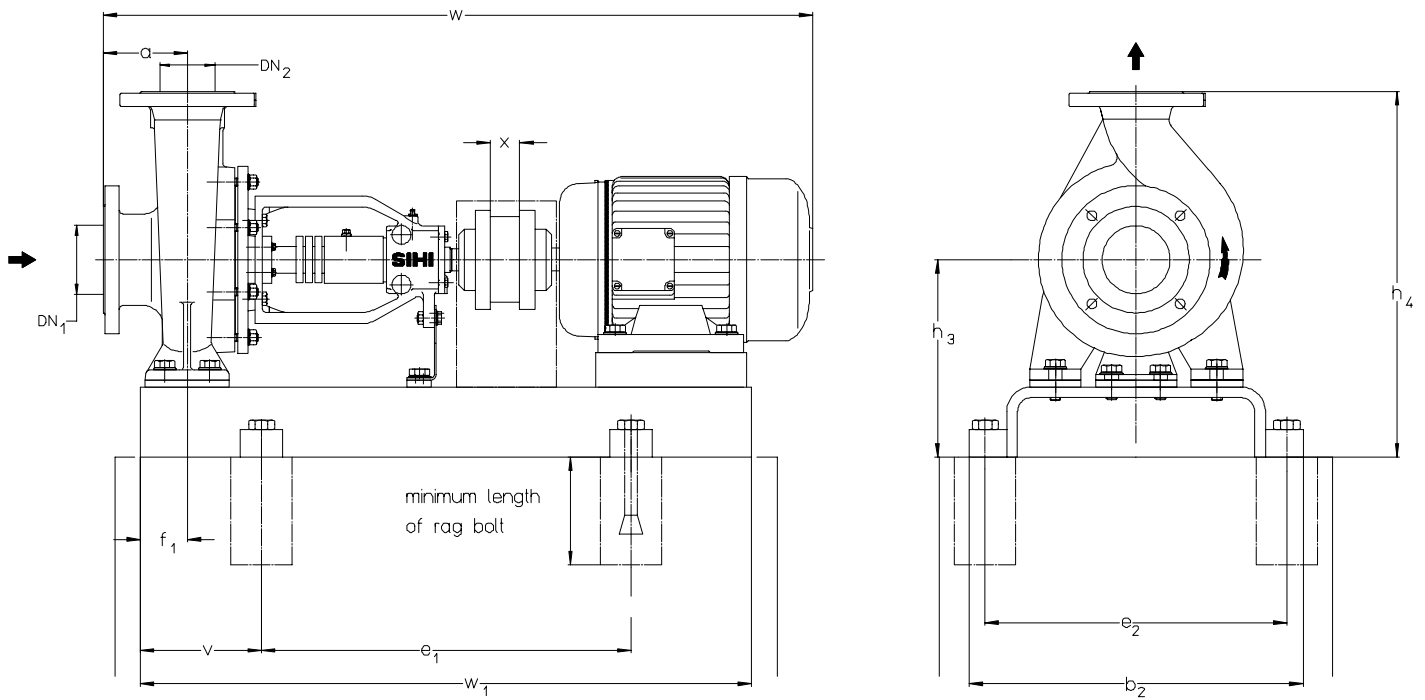
Dimensions in mm.
Dimensional tolerances admissible (base plates) for welded parts according to DIN 8570 B

size	motor		base plate No.	coupling **	pump kg	weight		DN ₂	DN ₁	a	b ₂	e ₁	e ₂	v	f ₁	h ₃	h ₄	w*	w ₁	rag bolt DIN 529
	size	kW				Unit	kg													
032125	71	0.55	S008	B68	32	52	32	50	80	297	400	265	120	60	152	292	682	640	M12x100	
	80	0.75				55											716			
	80	1.10				67											774			
	90S	1.50	69			716														
	90L	2.20	72			774														
032160	80	1.10	S270	B80	41	72	32	50	80	360	420	320	115	60	197	357	815	730	M16x200	
	90S	1.50	80			836														
	90L	2.20	82			895														
	100L	3.00	92			912														
	112M	4.00	93			912														
	132S	5.50	S342			130											820			
	132S	7.50	80			820														
032200	90L	2.20	S301	B95	39	80	40	65	80	390	480	350	125	60	225	405	774	730	M16x200	
	100L	3.00				90											815			
	112M	4.00				91											836			
	132S	5.50	S342			128											820			
	132S	7.50	147			912														
	160M	11.00	S383			175											1088			
	160M	15.00	S344			175											1150			
160L	18.50	148	1020																	
032250	132S	7.50	S383	B95	52	148	40	65	100	490	600	440	160	75	260	485	932	920	M20x400	
	160M	11.00				167											1050			
	160M	15.00				65											716			
	160L	18.50				650											730			
040125	80	1.10	S270	B68	34	65	40	65	80	360	420	320	115	60	177	317	716	730	M16x200	
	90S	1.50	70			774														
	90L	2.20	71			815														
	100L	3.00	82			836														
	90S	1.50	78			895														
040160	90L	2.20	S241	B80	39	80	40	65	80	390	480	350	125	60	197	357	776	730	M16x200	
	100L	3.00				82											815			
	90S	1.50				80											836			
	90L	2.20	S301			90											820			
	100L	3.00	91			912														
	112M	4.00	128			932														
	132S	5.50	S342			138											920			
132S	7.50	159	1030																	
040200	100L	3.00	S301	B95	43	94	40	65	100	390	480	350	125	60	225	405	817	730	M16x200	
	112M	4.00				95											856			
	132S	5.50	S342			132											932			
	132S	7.50	158			1050														
	160M	11.00	153			920														
040250	160M	15.00	S383	B95	57	172	40	65	100	490	600	440	160	75	260	485	1050	920	M20x400	
	132S	7.50				216											1112			
	160M	11.00				1000														
	160L	18.50				S434														

Foundation plan

n = 2900 rpm

size	motor		base plate No.	coup-ling **	weight		DN ₂	DN ₁	a	b ₂	e ₁	e ₂	v	f ₁	h ₃	h ₄	w*	w ₁	rag bolt DIN 5298																								
	Size	kw			pump kg	unit kg																																					
050125	90S	1.50	S301	B68	35	74	50	65	100	390	480	350	125	60	197	357	794	730	M16x200																								
	90L	2.20				76											835																										
	100L	3.00	S272	B80		86											360	540	320	140	856	820																					
	112M	4.00				87															835																						
	132S	5.50	S342	B95		124											450	400	212	372	932	M20x400																					
050160	90L	2.20	S301	B68	44	85	50	65	100	390	480	350	125	60	225	405	794	730	M16x200																								
	100L	3.00		B80		95											835																										
	112M	4.00	S342	B95		96											450	540	400	140	856	240	420	932	820	M20x400																	
	132S	5.50				133															1050						920																
	132S	7.50	S383	B95		159											490	600	440	160	1050	920																					
	160M	11.00				172											490	600	440	160	1050	920																					
050200	100L	3.00	S301	B80	43	94	50	65	100	390	480	350	125	60	225	425	817	730	M16x200																								
	112M	4.00				95											858																										
	132S	5.50	S342			B95											43	132	50	65	100	450	540	400	140	60	240	440	932	820	M20x400												
	132S	7.50																158											1050	920													
	160M	11.00	S383															B95											43	163	50	65	100	490	600	440	160	60	240	440	1050	1020	M20x400
	160M	15.00																												172											1050	920	
160L	18.50	S344	B95	43	172		50	65	100	490	600	440	160	75	260	485														1112											1000	M20x400	
160M	11.00	S383			216																									1174													
160M	15.00	S383			B95	43											229		50	65	100	540	660	400	180	75	260	485		1232											1140	M24x400	
160L	18.50																S344													296											740		200
050250	160M	11.00															S383	B80											57	216	50	65	100	540	660	490	170	75	260	485	1112	1000	M20x400
	160M	15.00																												229											1174		
	160L	18.50	S434	B110			57	216	50	65	100	540	660	490	170	75	260													485											1112	1000	M20x400
	180M	22.00						229																																	1174		
	200L	30.00	S435		B125	57		296											50	65	100	740	740	490	200	75	280	505													1232	1140	M24x400
200L	30.00	296	1232					1140																																			
200L	30.00	S435	B125					57										296											50		65	100	740	740	490	200	75	280	505	1232	1140	M24x400	
200L	30.00			296			1232		1140																																		
200L	30.00	S435		B125			57		296	50	65	100	740	740	490	200	75	280												505										1232	1140	M24x400	
200L	30.00	296			1232	1140																																					
200L	30.00	S435			B125	57			296										50	65	100	740	740	490	200	75	280	505												1232	1140	M24x400	
200L	30.00		296					1232	1140																																		
200L	30.00	S435	B125					57	296																				50		65	100	740	740	490	200	75	280	505	1232	1140	M24x400	
200L	30.00	296		1232			1140																																				
200L	30.00	S435		B125			57		296	50	65	100	740	740	490	200	75	280												505										1232	1140	M24x400	
200L	30.00				296	1232			1140																																		
200L	30.00	S435			B125	57			296										50	65	100	740	740	490	200	75	280	505												1232	1140	M24x400	
200L	30.00	296	1232					1140																																			
200L	30.00	S435	B125					57	296																				50		65	100	740	740	490	200	75	280	505	1232	1140	M24x400	
200L	30.00			296			1232		1140																																		
200L	30.00	S435		B125			57		296	50	65	100	740	740	490	200	75	280												505										1232	1140	M24x400	
200L	30.00	296			1232	1140																																					
200L	30.00	S435			B125	57			296										50	65	100	740	740	490	200	75	280	505												1232	1140	M24x400	
200L	30.00		296					1232	1140																																		
200L	30.00	S435	B125					57	296																				50		65	100	740	740	490	200	75	280	505	1232	1140	M24x400	
200L	30.00	296		1232			1140																																				
200L	30.00	S435		B125			57		296	50	65	100	740	740	490	200	75	280												505										1232	1140	M24x400	
200L	30.00				296	1232			1140																																		
200L	30.00	S435			B125	57			296										50	65	100	740	740	490	200	75	280	505												1232	1140	M24x400	
200L	30.00	296	1232					1140																																			
200L	30.00	S435	B125					57	296																				50		65	100	740	740	490	200	75	280	505	1232	1140	M24x400	
200L	30.00			296			1232		1140																																		
200L	30.00	S435		B125			57		296	50	65	100	740	740	490	200	75	280												505										1232	1140	M24x400	
200L	30.00	296			1232	1140																																					
200L	30.00	S435			B125	57			296										50	65	100	740	740	490	200	75	280	505												1232	1140	M24x400	
200L	30.00		296					1232	1140																																		
200L	30.00	S435	B125					57	296																				50		65	100	740	740	490	200	75	280	505	1232	1140	M24x400	
200L	30.00	296		1232			1140																																				
200L	30.00	S435		B125			57		296	50	65	100	740	740	490	200	75	280												505										1232	1140	M24x400	
200L	30.00				296	1232			1140																																		
200L	30.00	S435			B125	57			296										50	65	100	740	740	490	200	75	280	505												1232	1140	M24x400	
200L	30.00	296	1232					1140																																			
200L	30.00	S435	B125					57	296																				50		65	100	740	740	490	200	75	280	505	1232	1140	M24x400	
200L	30.00			296			1232		1140																																		
200L	30.00	S435		B125			57		296	50	65	100	740	740	490	200	75	280												505										1232	1140	M24x400	
200L	30.00	296			1232	1140																																					
200L	30.00	S435			B125	57			296										50	65	100	740	740	490	200	75	280	505												1232	1140	M24x400	
200L	30.00		296					1232	1140																																		
200L	30.00	S435	B125					57	296																				50		65	100	740	740	490	200	75	280	505	1232	1140	M24x400	
200L	30.00	296		1232			1140																																				
200L	30.00	S435		B125			57		296	50	65	100	740	740	490	200	75	280												505										1232	1140	M24x400	
200L	30.00				296	1232			1140																																		
200L	30.00	S435			B125	57			296										50	65	100	740	740	490	200	75	280	505												1232	1140	M24x400	
200L	30.00	296	1232					1140																																			
200L	30.00	S435	B125					57	296																				50		65	100	740	740	490	200	75	280	505	1232	1140	M24x400	
200L	30.00			296			1232		1140																																		
200L	30.00	S435		B125			57		296	50	65	100	740	740	490	200	75	280												505										1232	1140	M24x400	
200L	30.00	296			1232	1140																																					
200L	30.00	S435			B125	57			296										50	65	100	740	740	490	200	75	280	505												1232	1140	M24x400	
200L	30.00		296					1232	1140																																		
200L	30.00	S435	B125					57	296																				50		65	100	740	740	490	200	75	280	505	1232	1140	M24x400	
200L	30.00	296		1232			1140																																				
200L	30.00	S435		B125			57		296	50	65	100	740	740	490	200	75	280												505										1232	1140	M24x400	
200L	30.00				296	1232			1140																																		
200L	30.00	S435			B125	57			296										50	65	100	740	740	490	200	75	280	505												1232	1140	M24x4	



Dimensions in mm.

Dimensional tolerances admissible (base plates) for welded parts according to DIN 8570 B

size	motor size	motor kW	base-plate No.	coupling **	weight pump kg	weight unit kg	DN ₂	DN ₁	a	b ₂	e ₁	e ₂	v	f ₁	h ₃	h ₄	x	w*	w ₁	rag bolt DIN 529												
032125	71	0.25	S241	H80	32	63	32	50	80	330	480	290	125	60	177	317	100	780	730	M16x200												
	71	0.37				80															350	197	357									
032160	80	0.55	S301		39	78				360	540	320	140		490	600		440	160		75	260	485	814	820	M20x400						
	80	0.55				81																					83	225	405	872		
032200	80	0.75	S272		52	105				100	490	600	440		160	75		260	485		75	260	485	75	834	920	M20x400					
	90S	1.10				108																						110	892			
	90L	1.50				110																						120	933			
	100L	2.20				120																										
032250	80	0.75	S383		57	125				125	540	660	490		170	75		260	485		75	305	555	75	1068	1000	M20x400					
	90S	1.10				113																						115	1089			
	90L	1.50		115		125	1165																									
040125	71	0.25	S241	H80	34	65	40	65	80	330	480	290	125	60	177	317	100	780	730	M16x200												
	71	0.37				73															74	197	357									
	80	0.55				74				74	197	357																				
	71	0.37				74				74	197	357																				
040160	80	0.55	S272		39	78			360	540	320	140	490		600	400		160	75		260	485	75	814	820	M20x400						
	80	0.75				81																					834					
	90S	1.10				81																					872					
040200	80	0.55	S342		43	89			100	450	540	400	160		75	260		485	75		260	485	75	834	920	M20x400						
	80	0.75				89																					92	892				
	90S	1.10				92																					94	933				
	90L	1.50		94		113	1068																									
040250	90S	1.10	S383	57	113	125	540	660	490	170	75	260	485	75	305	555	75	1068	1000	M20x400												
	90L	1.50			115																125	1089										
	100L	2.20			125																	1165										
	100L	3.00			125																											
040315	100L	2.20	S434	87	171	125	540	660	490	170	75	260	485	75	305	555	75	1068	1000	M20x400												
	100L	3.00			172																207	1165										
	112M	4.00			172																207	1165										
	132S	5.50			207																											
050125	71	0.37	S301	H80	35	70	50	65	100	390	480	350	125	60	197	357	100	800	730	M16x200												
	80	0.55				74															360	320	197	357								
	80	0.75				74				360	320	197	357																			
050160	80	0.55	S272		44	90			450	540	400	140	490		600	440		160	75		260	485	75	834	920	M20x400						
	80	0.75				90																					450	400	140	240	440	892
	90S	1.10				93																					450	400	140	240	440	892
050200	80	0.55	S342		43	89			100	450	540	400	160		75	260		485	75		260	485	75	834	920	M20x400						
	80	0.75				89																					450	400	140	240	440	892
	90S	1.10				92																					450	400	140	240	440	892
	90L	1.50				94																					450	400	140	240	440	892
050250	100L	2.20	S383	57	104	125	540	660	490	170	75	260	485	75	260	485	75	834	920	M20x400												
	90L	1.50			115																490	600	440	160	260	485	933					
	100L	2.20			125																490	600	440	160	260	485	933					
	100L	3.00			125																490	600	440	160	260	485	933					
050315	112M	4.00	S434	90	126	125	540	660	490	170	75	260	485	75	305	585	75	1068	1000	M20x400												
	112M	4.00			126																490	600	440	160	260	485	933					
	132S	5.50			175																490	600	440	160	260	485	933					
	132M	7.50			213																490	600	440	160	260	485	933					

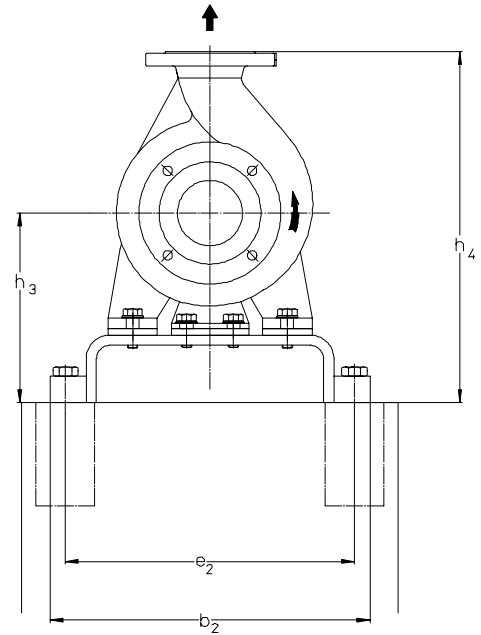
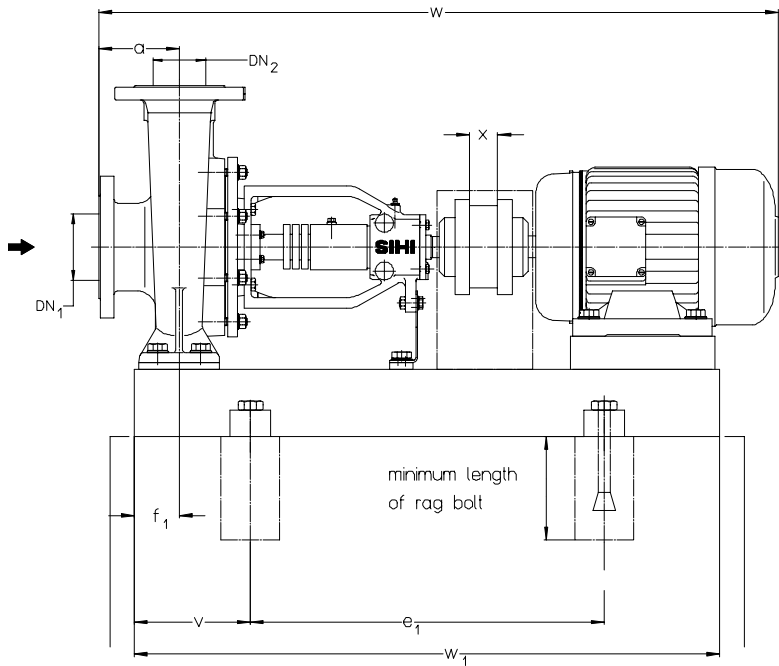
Foundation plan for units with spacer type coupling

n = 1450 rpm

size	motor		base plate No.	coup-ling **	weight		DN ₂	DN ₁	a	b ₂	e ₁	e ₂	v	f ₁	h ₃	h ₄	x	w*	w ₁	rag bolt DIN 529
	size	kW			pump kg	unit kg														
065125	80	0.55	S342	H80	39	85	65	80	100	450	540	400	140	60	240	420	100	834	820	M20x400
	80	0.75				88												892		
	90S	1.10				91												834		
80	0.75	45			94	440												892		
90S	1.10				96													933		
90L	1.50				104													932		
100L	2.20		106	973																
065200	100L	3.00	S383	H80	48	116	65	80	100	490	600	440	160	75	260	485	1000	994	920	M20x400
	112M	4.00				117												1083		
	100L	2.20				116												1104		
	100L	3.00				117												1180		
065250	100L	3.00	S434	H80	78	162	65	80	100	540	660	490	170	90	280	530	1140	1104	1000	M24x400
	112M	4.00				163												1205		
	132S	5.50				198												1231		
065315	132S	5.50	S486	H95	94	233	65	80	100	610	840	550	205	90	325	605	1250	236	1250	M24x400
	132M	7.50				236												1323		
	160M	11.00				252												1385		
	160L	15.00				282												899		
080160	80	0.75	S383	H80	51	104	80	100	125	490	600	440	160	75	260	485	140	957	920	M20x400
	90S	1.10				107												998		
	90L	1.50				109												1067		
	100L	2.20				119												1108		
	100L	3.00				119												1129		
080200	90L	1.50	S434	H80	71	144	80	100	125	540	660	490	170	75	260	510	1140	1108	1000	M24x400
	100L	2.20				155												1205		
	100L	3.00				156												1108		
	112M	4.00				191												1129		
080250	132S	5.50	S435	H95	71	191	80	100	125	540	660	490	170	75	260	510	1140	1205	1000	M24x400
	100L	3.00				194												1108		
	112M	4.00				195												1129		
	132S	5.50				223												1205		
080315	132M	7.50	S486	H95	84	226	80	100	125	610	840	550	205	90	300	580	1250	243	1250	M24x400
	132S	5.50				243												1231		
	132M	7.50				246												1205		
	160M	11.00				262												1231		
100160	160L	15.00	S486	H110	104	292	80	100	125	610	840	550	205	90	350	665	140	1385	1250	M24x400
	100L	2.20				164												1108		
	100L	3.00				165												1129		
	112M	4.00				200												1205		
	132S	5.50				200												1108		
100200	100L	2.20	S434	H80	80	164	80	100	125	540	660	490	170	90	280	560	1140	1108	1000	M20x400
	100L	3.00				163												1129		
	112M	4.00				164												1205		
	132S	5.50				199												1108		
	132M	7.50				202												1129		
100250	132S	5.50	S435	H95	79	199	80	100	125	540	660	490	170	90	280	560	1140	1205	1000	M24x400
	132M	7.50				202												1231		
	112M	4.00				200												1144		
	132S	5.50				228												1220		
	132M	7.50				231												1246		
100315	160M	11.00	S486	H95	89	247	80	100	125	610	840	550	205	90	325	605	140	1338	1250	M24x400
	160M	11.00				264												1400		
	160L	15.00				294												1462		
	180M	18.50				306												1246		
	180L	22.00				323												1338		
125200	132M	7.50	S486	H95	102	244	125	150	140	610	840	550	205	90	350	665	140	1246	1250	M24x400
	160M	11.00				260												1338		
	160L	15.00				290												1400		
	132M	7.50				251												1246		
125250	160M	11.00	S486	H95	109	267	125	150	140	610	840	550	205	90	350	665	140	1338	1250	M24x400
	160L	15.00				297												1400		
	132M	7.50				251												1246		
	160M	11.00				267												1338		
150200	160L	15.00	S605	H95	120	279	150	200	160	730	840	670	205	110	380	780	1400	1266	1400	M24x400
	160M	11.00				306												1358		
	160L	15.00				337												1423		
	180M	18.50				349												1482		
	160L	15.00				351												1420		
150250	180M	18.50	S606	H110	134	363	150	200	160	730	940	230	110	380	780	1400	1482	1250	M24x400	
	180L	22.00				392											1482			
	200L	30.00				436											1540			
	160L	15.00				351											1420			
150315																				
150400																				
150500																				
200250																				
200315																				
200400																				
200500																				

Foundation plans with base plates and fittings on request

* Motor protection type IP 55, dimensions depend on the motor manufacturer. Some sizes are not corresponding to the drawing in small details. Foundation plan for 60 Hz on request



Dimensions in mm.

Dimensional tolerances admissible (base plates) for welded parts according to DIN 8570 B

size	motor		base plate No.	coupling **	weight		DN ₂	DN ₁	a	b ₂	e ₁	e ₂	v	f ₁	h ₃	h ₄	x	w*	w ₁	rag bolt Din 529
	size	kW			pump kg	unit kg														
032125	71	0.55	S241	H80	32	64	32	50	80	330	480	290	125	60	177	317	100	780	730	M16x200
	80	0.75				72												814		
	80	1.10				75												872		
	90S	1.50				77												814		
	90L	2.20				80												872		
032160	80	1.10	S272	H80	41	83	32	50	80	360	540	320	140	60	197	357	100	814	820	M16x200
	90S	1.50				85												872		
	90L	2.20				88												913		
	100L	3.00	93	934																
	112M	4.00	94	993																
	132S	5.50	98	1012																
	132S	7.50	99	1030																
032200	90L	2.20	S272	H80	39	83	40	65	80	360	540	320	140	60	225	405	100	872	820	M20x400
	100L	3.00				93												913		
	112M	4.00				94												934		
	132S	5.50	98	1010																
	132S	7.50	99	1030																
	160M	11.00	S344	H95	158	1128	1020	M20x400												
	160M	15.00	203	1190	1140															
160L	18.50	S385	149	1030	920															
032250	132S	7.50	S383	H95	52	149	40	65	100	490	600	440	200	75	260	485	100	1030	920	M20x400
	160M	11.0	S434			184												1148	1000	
	160M	15.0	184			1148												1000		
040125	80	1.10	S272	H80	34	73	40	65	80	360	540	320	140	60	177	317	100	814	820	M16x200
	90S	1.50				76												872		
	90L	2.20				78												913		
	100L	3.00				88												934		
	90S	1.50				81												872		
040160	90L	2.20	S303	H95	39	83	40	65	80	390	600	350	160	60	197	357	100	814	820	M16x200
	100L	3.00				93												913		
	112M	4.00				94												934		
	132S	5.50	127	1010																
	132S	7.50	127	1030																
	160M	11.00	S344	H95	162	1128	1020	M20x400												
	100L	3.00	S342	H80	104	933	820													
112M	4.00	105	954																	
040200	132S	5.50	S303	H95	43	131	40	65	100	390	600	350	160	60	225	405	100	1030	920	M16x200
	132S	7.50				160												1148	1020	
	160M	11.00	S344	H95	160	1148	1020	M20x400												
	160M	15.00	154	1030	920															
	132S	7.50	S383	H95	154	1030	920													
040250	160M	11.00	S434	H95	57	189	40	65	100	540	660	490	170	75	260	485	100	1148	1000	M20x400
	160M	15.00				219												1210	1140	
	160L	18.50	S385	H95	219	1210	1140													
	160L	18.50	219	1210	1140															

Foundation plan for units with spacer type coupling

n = 2900 rpm

size	motor		base plate No.	coup-ling **	weight		DN ₂	DN ₁	a	b ₂	e ₁	e ₂	v	f ₁	h ₃	h ₄	x	w*	w ₁	rag bolt DIN 529															
	size	kW			pump kg	unit kg																													
050125	90S	1.50	S272	H80	35	77	50	65	100	360	540	320	140	60	197	357	100	892	820	M16x200															
	90L	2.20				79												933		920	M12x100														
	100L	3.00	89																																
	112M	4.00	90																																
	132S	5.50	123																																
050160	90L	2.20	S303	H95	44	95	65	80	100	450	540	400	140	60	240	420	100	892	820	M20x400															
	100L	3.00				105												933		920	M16x200														
	112M	4.00				106																													
	132S	5.50	S342			132												933		920	M20x400														
	132S	7.50				161																													
	160M	11.00				104																													
	160M	15.00				105																													
050200	100L	3.00	S342	H80	43	131	65	80	100	450	660	400	180	60	225	405	100	1030	920	M16x200															
	112M	4.00				160												933		820	M20x400														
	132S	5.50				195																													
	132S	7.50	S303			H95												57		189	80	100	100	390	600	350	160	75	260	485	100	1148	1020	M20x400	
	160M	11.00																		219															
	160M	15.00																		238															
	160L	18.50																		299															
050250	160M	11.00	S434	H95	43		189	65	80	100	490	740	440	200	75	280	505		100	1148												1000			M20x400
	160M	15.00					219																												
	160L	18.50	238																																
	180M	22.00	299																																
	200L	30.00	362																																
065125	100L	3.00	S342	H80	39	100	65	80	100	450	540	400	140	60	240	420	100	933	820	M20x400															
	112M	4.00				101																													
	132S	5.50	136																																
	132S	7.50	142																																
	132S	5.50	S383			H95												45			162	65	80	100	490	600	440	160	60	240	440	100	1030	920	M20x400
132S	7.50	182																																	
160M	11.00	210																																	
160M	15.00	229																																	
160M	11.00	S385	H95	48	210		65	80	100	490	740	440	200	75	260	485	100		1188	1140	M20x400														
160M	15.00				229																														
160L	18.50				297																														
180M	22.00	S435			H110	78												252	65			80	100	540	840	490	215	75	280	530	100	1250	1270	M24x400	
180M	22.00																	266																	
200L	30.00		362																																
160L	18.50	S436	H95	78			252	65	80	100	610	940	550	240	90	300	550	100		1480	1420											M24x400			
180M	22.00						266																												
200L	37.00				445																														
225M	45.00	S607			H125	78	445												65	80		100	730	940	670	230	90	325	575	100	1510		1400	M24x400	
200L	37.00						362																												
225M	45.00		445																																
080160	132S	7.50	S434	H95			51	164	65	80	100	540	660	490	170	75	260	485			100										1095	1000			M20x400
	160M	11.00						165																											
	160M	15.00	213																																
	160L	18.50	232																																
	180M	22.00	S435		H110	71		210											65	80		100	540	740	440	200	75	260	485	100	1213		1140	M20x400	
160M	15.00	244																																	
160L	18.50	258																																	
180M	22.00	S436	H110	71			258	65	80	100	540	840	490	215	75	260	485	100			1275										1270	M20x400			
160L	18.50						244																												
180M	22.00				258																														
200L	30.00	S487			H125	71	354												65	80	100	610	940	550	205	75	300	580	100	1337			1270	M24x400	
200L	37.00						354																												
200L	37.00		284																																
180M	22.00	S486	H110	84			284	65	80	100	610	840	550	205	75	300	580	100												1447	1250	M24x400			
200L	30.00						368																												
200L	37.00				451																														
225M	45.00	S607			H125	84	451												65	80	100	730	940	670	230	75	325	605	100	1535			1400	M24x400	
250M	55.00						651																												
250M	55.00		651																																
100160	160L	18.50	S436	H95			80	254	65	80	100	540	840	490	215	90	280	560												100	1385	1270			M20x400
	180M	22.00						268																											
	200L	30.00	364																																
	200L	37.00	364																																
	200L	37.00	S487		H125	79		364											65	80	100	610	940	550	240	90	300	580	100		1447		1270	M24x400	
160L	18.50	253																																	
180M	22.00	267																																	
200L	30.00	S487	H110	79			363	65	80	100	610	940	550	240	90	300	580	100												1385	1270	M20x400			
200L	37.00						446																												
225M	45.00				446																														
100200	200L	30.00			S487	H125	79												363	65	80	100	730	940	670	230	90	300	580	100			1535	1400	M24x400
	200L	37.00																	373																
	225M	45.00	446																																
	200L	30.00	S487	H110	79			373	65	80	100	610	940	550	240	90	325	605	100												1520	1420	M24x400		
	200L	37.00						456																											
225M	45.00	656																																	
100250	250M	55.00	S608			H140	89	669												65	80	100	730	1060	670	270	90	350	630	100	1680			1600	M24x400
	280S	75.00						922																											
	280M	90.00	972																																
	280S	75.00	S609A	H160	89			909	65	80	100	744	1200	696	300	90	380	660	100												1780	1800	M24x400		
	280M	90.00						959																											
250M	55.00	669																																	
125200	250M	55.00	S608			H140	102	669												65	80	100	730	1060	670	270	90	350	665	100	1680			1600	M24x400
	280S	75.00						922																											
	280M	90.00	972																																

* Motor protection type IP 55, dimensions depend on the motor manufacturer.
 Some sizes are not corresponding to the drawing in small details.
 Foundation plan for 60 Hz on request

COPYRIGHT WARNING

Please read this notice

The material you are viewing in this document is protected by Copyright and may only be used in accordance with Copyright, Designs and Patent legislation.

It is not permitted to copy - either in full or in part - nor substantially extract, reproduce or re-use any of the contents of this document in any material form or in any medium without permission from the Copyright holders or their assignees. Any unlawful use of the material in this document may result in claims for civil remedies, including an injunction to restrain further use and a claim for damages; or may result in criminal penalties.

www.sterlingfluidsystems.com

Europe

www.sterlingfluidsystems.com/europe

Sterling Fluid Systems (Austria)
Wien
Telephone: +43 (0)1 680 050
Fax: +43 (0)1 680 0521
E-Mail: sales_austria@sterlingsihi.de

Sterling Fluid Systems (France)
Trappes
Telephone: +33 (0)1 34 82 39 00
Fax: +33 (0)1 34 82 39 61
E-Mail: sterlingsihi@easynet.fr

Sterling Fluid Systems (Greece)
Athens
Telephone: +30 (0) 210 957 07 83
Fax: +30 (0) 210 956 81 21
E-Mail: sales_greece@sterlingsihi.de

Sterling Fluid Systems (Netherlands)
Beverwijk
Telephone: +31 (0)251 263 232
Fax: +31 (0)251 226 309
E-Mail: info@sihi.nl

Sterling Fluid Systems (Schweiz)
Schaffhausen
Telephone: +41 (0)52 6440606
Fax: +41 (0)52 6440616
E-Mail: info@sterlingfluid.ch

Sterling Fluid Systems (Belgium)
Groot-Bijgaarden
Telephone: +32 (0)2 481 7711
Fax: +32 (0)2 481 7737
E-Mail: sales@sterlingfluidsystems.be

Sterling SIHI (Germany)
Itzehoe
Telephone: +49 (0)4821 77101
Fax: +49 (0)4821 771274
E-Mail: sales@sterlingsihi.de

Sterling Fluid Systems (Hungary)
Veszprém
Telephone: +36 (0)88 40 66 33
Fax: +36 (0)88 40 66 35
Mail: sales_hungary@sterlingsihi.de

Sterling Fluid Systems (Polska)
Warszawa
Telephone: +48 (0) 22 849 7097
Fax: +48 (0) 22 849 6726
E-Mail: sterling@sterling.pl

Sterling Fluid Systems (Spain)
Madrid
Telephone: +34 91 709 1310
Fax: +34 91 715 9700
E-Mail: mibsa@stnet.es

Sterling Fluid Systems (Czech Republic)
Olomouc
Telephone: +420 (0) 68 551 6651
Fax: +420 (0) 68 551 6653
E-Mail: sterling@sterling.cz

Sterling SAT
Dägeling
Telephone: +49 (0) 4821 9000-0
Fax: +49 (0) 4821 9000-501
E-Mail: sat@sterlingsat.com

Sterling Fluid Systems (Italy)
Cologno Monzese
Telephone: +39 02 82 41
Fax: +39 02 82 24 220
E-Mail: sterlingitaly@sidro.it

Sterling Fluid Systems (Romania)
Bucuresti
Telephone: +40 (0) 21 610 7188
Fax: +40 (0) 21 210 8287
E-Mail: sales_romania@sterlingsihi.de

Sterling Fluid Systems (UK)
Altrincham/Cheshire
Telephone: +44 (0)161 9286371
Fax: +44 (0)161 9252129
E-Mail: uksales@sterlingfluid.com

Americas

www.sterlingfluidsystems.com/americas

Sterling Fluid Systems (USA)
Grand Island
Telephone: (1) 716 773 6450
Fax: (1) 716 773 2330
E-Mail: mail@sihi.com

Sterling Fluid Systems (Canada)
Guelph
Telephone: (1) 519 824 4600
Fax: (1) 519 824 7250
E-Mail: mail@sihi.com

Asia

www.sterlingfluidsystems.com/asia

Sterling Fluid Systems (Asia)
Singapore
Telephone: (65) 6863 0828
Fax: (65) 6863 0868
E-Mail: asia.marketing@sterlingasia.com

SIHI (Australia)
Bayswater
Telephone: (61) 3 9720 1500
Fax: (61) 3 9720 4076
E-Mail: sfsaus@ozemail.com.au

Sterling Fluid Systems (China)
Shanghai
Telephone: (8621) 6336 3488
Fax: (8621) 63268487
E-Mail: info.china@sterlingasia.com

Sterling Fluid Systems (Malaysia)
Selangor Darul Ehsan
Telephone: (60) 3 8070 0198
Fax: (60) 3 8070 0204
E-Mail: sfsmsia@tm.net.my

Sterling Fluid Systems (Philippines)
Muntinlupa City
Telephone: (63) 2 809 4908
Fax: (63) 2 807 2013
E-Mail: philippines@pacific.net.ph

Sterling Fluid Systems (Thailand)
Bangkok
Telephone: (66-2) 319 2567
Fax: (66-2) 319 2573/4
E-Mail: sfsthai@sterlingthai.co.th