



BM500 / LS6X00 / LS72XX

Technical Datasheet

Level gauges for hygienic applications

- Hygienic installation
- Completely made of stainless steel
- Maintenance / seal-free installation

Hygienic level gauges

The **BM 500** is a continuous level gauge for small vessels with viscous and pasty products with a minimum conductivity of 1 $\mu\text{S}/\text{cm}$.

The electromagnetic switches of the **LS 6000 series** are designed as limit switches for level detection or dry run protection. The measurement method allows universal application for changing media. Coating and condensate are not detected.

The conductive switches of the **LS 7000 series** are designed as limit switches for level detection or dry run protection for conductive products.



- ① BM 500
- ② LS 6200 PG
- ③ LS 7240 coated

Highlights

- Max. temperature 140°C / 285°F
- Fast response time
- Optimized flow geometry
- No pressure loss

Industries

- Food & Beverage
- Pharmaceuticals
- Cosmetics

Typical applications

- Level measurement of mustard
- Level measurement of ketchup
- Level detection of cream
- Level detection of toothpaste

Options and variants



BM 500

- Remote version
- Length up to 3 m / 10 ft
- Potted version
- "Empty" and "Overfull" status signals
- Automatic position detection (installation from top or bottom)



LS 6200

- No blockage of the pipeline
- Installation from DN 25
- LED switch indicator
- Insensitive to build-up of foam



LS 6250 (LS 6250 S)

- Suitable for organic products
- LED switch indicator



LS 6300 (LS 6300 S)

- Installation from DN 15
- LED switch indicator



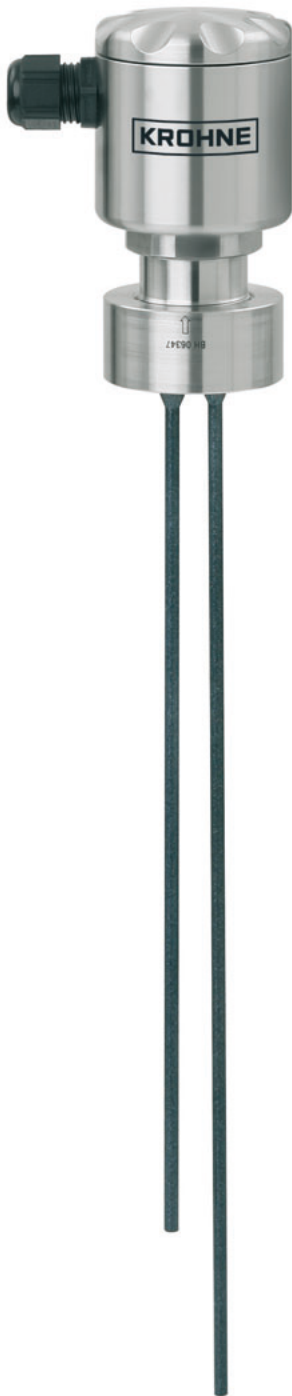
LS 7200

- No blockage of the pipeline



LS 7210 / 7211 / 7220 / 7221

- Mono rod probes, stainless steel or coated
- Can be shortened



LS 7230 / 7240 (LS 7240 coated)

- Multiple rod probes, stainless steel or coated
- Can be shortened

Technical data

BM 500

Measuring system

Functional principle	Potentiometric
Installation	Installation from top or bottom (automatic position detection)

Measuring accuracy

Accuracy	± 0.5%
Repeatability	± 0.1% of the max. measuring rod length
Min. measuring range	50 mm / 2", configurable using keys
Response time	T ₆₆ 10 ms

Operating conditions

Pressure	≤ 16 bar / 232 psi
Ambient temperature (compact)	-20...+60°C / -4...+140°F
Ambient temperature (remote)	-20...+100°C / -4...+212°F
Operating temperature	-20...+140°C / -4...+284°F
Medium conductivity	≥ 1 µS/cm

Materials

Probe	Stainless steel 1.4404 / AISI 316 L
Housing	Stainless steel 1.4301 / AISI 304
Process connection	Stainless steel 1.4404 / AISI 316 L
Isolation material	PEEK (FDA accepted)
M16 cable glands	Plastic
M12 plug	Brass, nickel plated

Process connections

Screwed joint	G1" hygienic; adapter ❶
Sensor length	200...3000 mm / 0.6...10 ft
Cable length	1000...5000 mm / 3.3...16.4 ft (only for remote version)
Protection class [EN 60529]	IP67
Vibrations	IEC 68-2-6, GL test2

Electrical connection

Resolution, input	15 bit
Output	4...20 mA; max. load 500 Ohm
Power supply	18...36 VDC; max. 200 mA
Status signal, "empty"	2.4 mA
Status signal, "filled"	21.6 mA

Approvals

Immunity (EMC)	EN 61000-6-2
Emissions (EMC)	EN 50081-1

Accessories

HWN 500 welding sleeve	Option ❶
Hygienic adapter sleeve for other process connections	Option ❶
Adapter sleeve	Option ❶

❶ For further information, see additional datasheet "Accessories for hygienic measuring instruments".

LS 6000 Series

Version	LS 6200	LS 6250 / LS 6250 S	LS 6300 / LS 6300 S
---------	---------	---------------------	---------------------

Measuring system

Functional principle	Electromagnetic wave
----------------------	----------------------

Operating conditions

Pressure	≤ 16 bar / 232 psi
Ambient temperature	-20...+60°C / -4...+140°F
Operating temperature	-20...+85°C / -4...+185°F (Cleaning 140°C / 284°F (1h))
Applications	Please refer to the following table "Positioning the jumper and recommended applications"

Materials

Probe	Stainless steel 1.4404 / AISI 316 L
Housing	Stainless steel 1.4301 / AISI 304
Process connection	Stainless steel 1.4404 / AISI 316 L
Isolation material	PEEK (FDA accepted)
M16 cable glands	Plastic
M12 plug	Brass, nickel plated

Process connections

Threaded joint	G½" hygienic; adapter ❶	M12 hygienic ❶
Protection class (EN 60529)	IP67	

Electrical connection

Standard	Contactless switch
Contact output	18...36 VDC; max. 50 mA (load free)
Power supply	18...36 VDC; max. 70 mA
Full/empty switching function	Polarity of the power supply
Attenuation	0.1 / 1.0 s (Jumper)
Hysteresis	± 1 mm
Repeatability	± 2 mm
Status display	LED

Approvals

Immunity (EMC)	EN 61000-6-2
Emissions (EMC)	EN 50081-1
Vibration	IEC 68-2-6, GL test2

Accessories

HWN 200 welding sleeve	Option ❶
Hygienic adapter sleeve for other process connections	Option ❶

❶ For further information, see additional datasheet "Accessories for hygienic measuring instruments".

Positioning the jumper and recommended applications

Series	Jumper	DK value	Immunity to foam	Response time [s]	Recommended application Medium type
LS 6200	1-2	> 22	Yes	1	Aqueous, fat component <10%
	2-3	> 22	Yes	0.1	Aqueous, fat component <10%
	Open	> 22	No	0.1	Aqueous, fat component <85%
LS 6250	1-2	> 30	Yes	1	Aqueous, fat component <1% or carbohydrates >10%
	2-3	> 30	Yes	0.1	Aqueous, fat component <1% or carbohydrates >10%
	Open	> 22	No	0.1	Aqueous, fat component <20% or carbohydrates >10%
LS 6250 S	1-2	< 10	Yes	1	Organic solvents, fat and oil. Dry media.
	2-3	< 10	Yes	0.1	Organic solvents, fat and oil. Dry media.
	Open	< 27	No	0.1	Organic solvents, fat and oil. Dry media.
LS 6300	1-2	> 28	Yes	1	Aqueous, fat component <10%
	2-3	> 28	Yes	0.1	Aqueous, fat component <10%
	Open	> 22	No	0.1	Aqueous, fat component <20%
LS 6300 S	1-2	< 12	Yes	1	Organic solvents, fat and oil. Dry media.
	2-3	< 12	Yes	0.1	Organic solvents, fat and oil. Dry media.
	Open	< 21	No	0.1	Organic solvents, fat and oil. Dry media.

LS 7000 series: versions with stump electrode or mono rod electrode

Version	LS 7200 / LS7201	LS 7210 / LS 7211	LS 7220 / LS 7221
Probe type	Stump electrode	Rod electrode	Rod electrode, coated

Measuring system

Functional principle	Conductive
----------------------	------------

Operating conditions

Pressure	≤ 16 bar / 232 psi
Ambient temperature	-20...+85°C / -4...+185°F (electrode / mass output) -20...+60°C / -4...+140°F (contact output)
Operating temperature	-20...+140°C / -4...284°F

Materials

Probe	Stainless steel 1.4404 / AISI 316 L	E1.4404 / AISI 316 L, PTFE coated
Housing	Stainless steel 1.4301 / AISI 304	
Process connection	Stainless steel 1.4404 / AISI 316 L	
Isolation material	PEEK (FDA accepted)	
M16 cable glands	Plastic	
M12 plug	Brass, nickel plated	

Process connections

Screwed joint	G½" hygienic; adapter ❶		
Rod diameter	-	4 mm / 0.16"	4.2 mm / 0.17"
Electrode length [mm]	-	200; 500; 850; 1000	200; 500; 850; 1000
Electrode length [ft]	-	7.87; 19.69; 33.46; 39.37	7.87; 19.69; 33.46; 39.37
Protection class (EN 60529)	IP67		

Electrical connection

Output	LS 7200: Electrode / mass connection	LS 7210: Electrode / mass connection	LS 7220: Electrode / mass connection
	LS 7201: Active max. 50 mA (resistant to short circuits)	LS 7211: Active max. 50 mA (resistant to short circuits)	LS 7221: Active max. 50 mA (resistant to short circuits)
Power supply	18...36 VDC; max. 10 mA ❷		
Sensitivity [kOhm]	Adjustable: 0,2; 2; 20 ❷		

Approvals

Immunity (EMC)	EN 61000-6-2
Emissions (EMC)	EN 50081-1

Accessories

Level evaluation modules	Option ❶
Hygienic process connections	Option ❶

❶ For further information, see additional datasheet "Accessories for hygienic measuring instruments".

❷ Valid for active output

LS 7000 series: Versions with multiple rod electrodes

Version	LS 7230 / LS 7231	LS 7240 / LS 7241
Probe type	Multiple rod electrode	Multiple rod electrode, coated

Measuring system

Functional principle	Conductive
----------------------	------------

Operating conditions

Pressure	≤ 16 bar / 232 psi
Ambient temperature	-20...+85°C / -4...+185°F (Electrode / mass output) -20...+60°C / -4...+140°F (contact output)
Operating temperature	-20...+140°C / -4...284°F

Materials

Probe	Stainless steel 1.4404 / AISI 316 L	Stainless steel 1.4404 / AISI 316 L, PTFE coated
Housing	Stainless steel 1.4301 / AISI 304	
Process connection	Stainless steel 1.4404 / AISI 316 L	
Isolation section	PEEK (FDA accepted)	
M16 cable glands	Plastic	
M12 plug	Brass, nickel plated (only for 2 and 3 rod probes)	

Process connections

Screwed joint	1" hygienic; adapter ①	
Rod diameter	4 mm / 0.16"	4.2 mm / 0.17"
Electrode length [mm]	200; 500; 850; 1000	
Electrode length [ft]	7.87; 19.69; 33.46; 39.37	
Protection class [EN 60529]	IP67	

Electrical connection

Output	LS 7230: Electrode / mass connection	LS 7240: Electrode / mass connection
	LS 7231: Active max. 50 mA (resistant to short circuits)	LS 7241: Active max. 50 mA (resistant to short circuits)
	max. 1 piece	
Power supply	18...36 VDC; max. 10 mA ②	
Sensitivity [kOhm]	Adjustable: 0,2; 2; 20 ②	

Approvals

Immunity (EMC)	EN 61000-6-2
Emissions (EMC)	EN 50081-1

Accessories

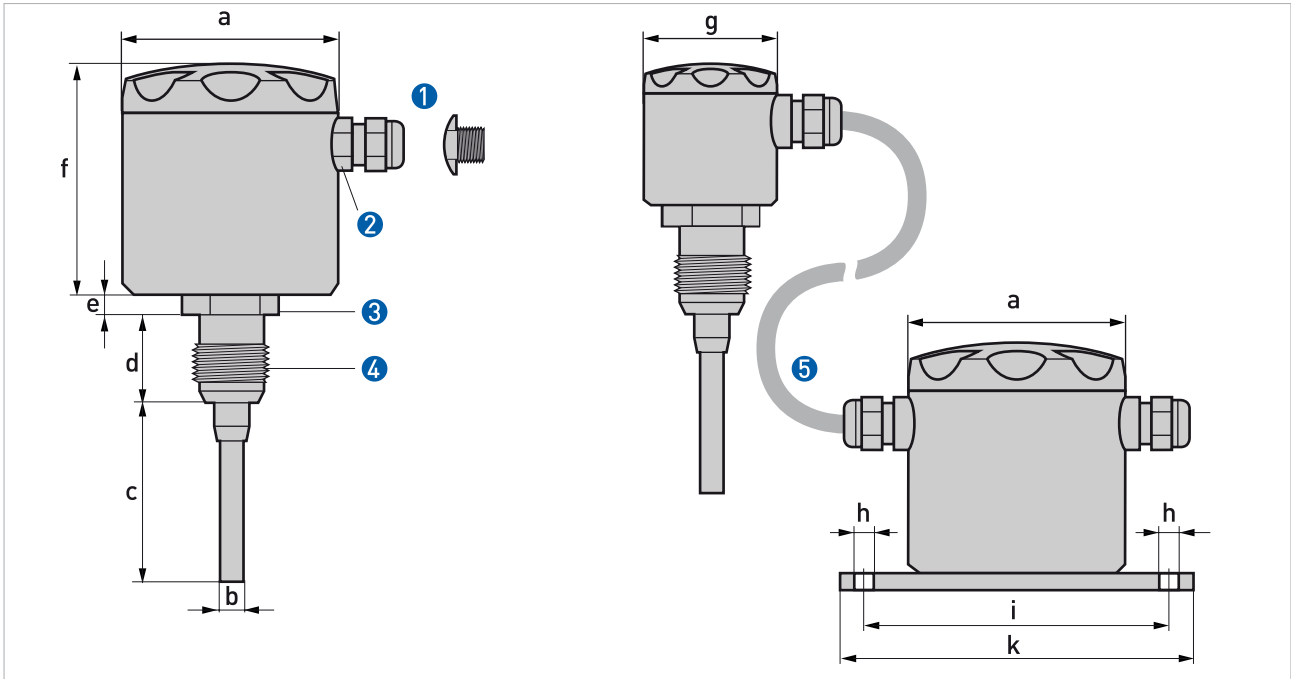
Level evaluation modules	Option ①
Hygienic process connections	Option ①

① For further information, see additional datasheet "Accessories for hygienic measuring instruments".

② Valid for active output

Dimensions

BM 500



- ❶ M12x1 plug
- ❷ M16x1.5 cable gland
- ❸ WAF 36
- ❹ G1"
- ❺ Connecting cable (please specify length on ordering)

Dimensions in mm

	a	b	c	d	e	f	g	h	i	k
BM 500	89	10	L ❶	36	8	92	55	8	125	145

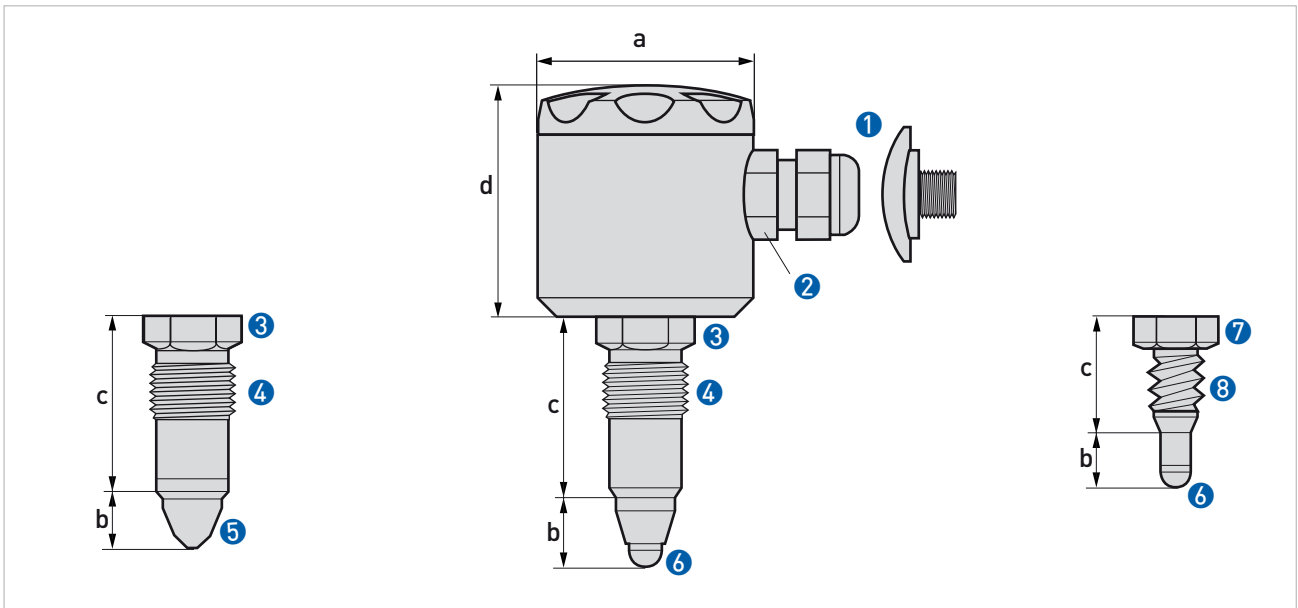
❶ ordered rod length

Dimensions in inches

	a	b	c	d	e	f	g	h	i	k
BM 500	3.5	0.49	L ❶	1.42	0.31	3.62	2.17	0.31	4.92	5.71

❶ ordered rod length

LS 6000 Series: LS 6200, LS 6250 / LS 6250 S & LS 6300 / LS 6300 S (from left to right)



- ❶ M12x1 plug
- ❷ M16x1.5 cable gland
- ❸ WAF 22
- ❹ G 1/2"
- ❺ PEEK tip
- ❻ Metal tip
- ❼ WAF 17
- ❽ M12

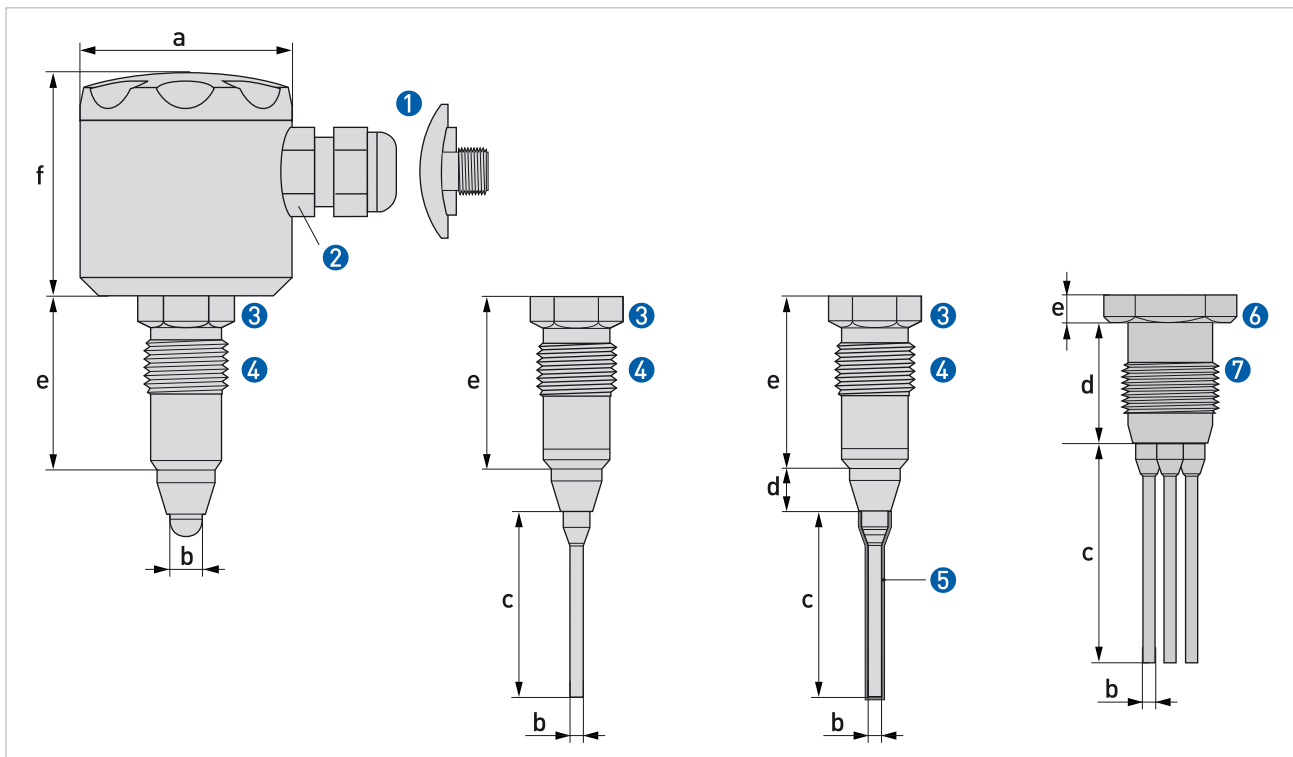
Dimensions in mm

	a	b	c	d
LS 6200	55	13	44	58
LS 6250	55	17	46	58
LS 6300	55	11	27	58

Dimensions in inches

	a	b	c	d
LS 6200	2.17	0.51	1.73	2.28
LS 6250	2.17	0.67	1.81	2.28
LS 6300	2.17	0.43	1.06	2.28

LS 7000 Series: LS 7200 / 7201, LS 7210 / 7211, LS 7220 / 7221, LS 7230 / LS 7231 (from left to right)



- ❶ M12x1 plug
- ❷ M16x1.5 cable gland
- ❸ WAF 22
- ❹ G 1/2"
- ❺ Powder coating
- ❻ WAF 37
- ❼ G 1"

Dimensions in mm

	a	b	c	d	e	f
LS 7200 / LS 7201	55	8	-	-	46	58
LS 7210 / LS 7211	55	4	L ❶	-	46	58
LS 7220 / LS 7221	55	4.2	L ❶	11	46	58
LS 7230 / LS 7231	55	4	L ❶	36	8	58
LS 7240 / LS 7241	55	4.2	L ❶	36	8	58

❶ ordered rod length

Dimensions in inches

	a	b	c	d	e	f
LS 7200 / LS 7201	2.17	0.31	-	-	1.81	2.28
LS 7210 / LS 7211	2.17	0.16	L ❶	-	1.81	2.28
LS 7220 / LS 7221	2.17	0.17	L ❶	0.43	1.81	2.28
LS 7230 / LS 7231	2.17	0.16	L ❶	1.41	0.31	2.28
LS 7240 / LS 7241	2.17	0.17	L ❶	1.41	0.31	2.28

❶ ordered rod length



KROHNE Product Overview

- Electromagnetic flowmeters
- Variable area flowmeters
- Mass flowmeters
- Ultrasonic flowmeters
- Vortex flowmeters
- Flow controllers
- Level measuring instruments
- Pressure gauges
- Temperature measuring instruments
- Water solutions & analysis
- Oil and gas turnkey solutions

Addresses:

Germany

Northern sales office

KROHNE Messtechnik GmbH & Co. KG
Bremer Str. 133
D-21073 Hamburg
Phone: +49 (0)40 767 3340
Fax: +49 (0)40 767 33412
nord@krohne.de
ZIP code: 10000 - 29999, 49000 - 49999

Western and middle sales office

KROHNE Messtechnik GmbH & Co. KG
Ludwig-Krohne-Straße
D-47058 Duisburg
Phone: +49 (0)203 301 416
Fax: +49 (0)203 301 10416
west@krohne.de
ZIP code: 30000 - 34999, 37000 - 48000, 50000 - 53999, 57000 - 59999, 98000 - 99999

Southern sales office

KROHNE Messtechnik GmbH & Co. KG
Landsberger Str. 392
D-81241 Munich
Phone: +49 (0)89 121 5620
Fax: +49 (0)89 129 6190
sued@krohne.de
ZIP code: 0 - 9999, 80000 - 89999, 90000 - 97999

Southwestern sales office

KROHNE Messtechnik GmbH & Co. KG
Rüdesheimer Str. 40
D-65239 Hochheim/Main
Phone: +49(0)6146) 827 30
Fax: +49 (0)6146 827 312
rhein-main@krohne.de
ZIP code: 35000 - 36999, 54000 - 56999, 60000 - 79999

Instrumentation and control equipment catalog

TABLAR Messtechnik GmbH
Ludwig-Krohne-Straße 5
D-47058 Duisburg
Phone: +49 (0)2 03 305 880
Fax: +49 (0)2 03 305 8888
kontakt@tablar.de www.tablar.de

KROHNE sales companies

International

Australia

KROHNE Australia Pty Ltd
Quantum Business Park 10/287
Victoria Rd Rydalmere NSW 2116
Phone: +61 2 8846 1700
Fax: +61 2 8846 1755
krohne@krohne.com.au

Austria

KROHNE Austria Ges.m.b.H.
Modecenterstraße 14
A-1030 Vienna
Phone: +43 (0)1/203 45 32
Fax: +43 (0)1/203 47 78
info@krohne.at

Belgium

KROHNE Belgium N.V.
Brusselstraat 320
B-1702 Groot Bijgaarden
Phone: +32 (0)2 4 66 00 10
Fax: +32 (0)2 4 66 08 00
krohne@krohne.be

Brazil

KROHNE Conaut Controles
Automaticos Ltda.
Estrada Das Águas Espriaiadas, 230
C.P. 56 06835 - 080 EMBU - SP
Phone: +55 (0)11-4785-2700
Fax: +55 (0)11 4785-2768
conaut@conaut.com.br

China

KROHNE Measurement Instruments
(Shanghai) Co. Ltd., (KMIC)
Room 1501
1033 Zhaojiabang Road
Shanghai 200030
Phone: +86 21 6487 9611
Fax: +86 21 6438 7110
info@krohne-asia.com

Czech Republic

Krohne CZ, spol. s r.o.
Soběsická 156
63800 Brno
Phone: +420 (0)545 242 627
Fax: +420 (0)545 220 093
brno@krohne.cz

France

KROHNE S.A.S.
Les Ors BP 98
F-26103 ROMANS Cedex
Phone: +33 (0)4 75 05 44 00
Fax: +33 (0)4 75 05 00 48
info@krohne.fr

Great Britain

KROHNE Ltd.
Rutherford Drive
Park Farm Industrial Estate
Wellingborough
Northants NN8 6AE
Phone: +44 (0)19 33 408 500
Fax: +44 (0)19 33 408 501
info@krohne.co.uk

CIS

Kanex KROHNE Engineering AG
Business-Centre Planeta
Office 404 ul.
Marxistskaja 3
109147 Moscow/Russia
Phone: +7 (0)095 911 7165
Fax: +7 (0)095 742 8873
krohne@dol.ru

India

Krohne Marshall Ltd.
A-34/35, M.I.D.C. Industrial Area,
H-Block
Pimpri Poona 411018
Phone: +91 (0)202 744 2020
Fax: +91 (0)202 744 2020
pcul@vsnl.net

Iran

KROHNE Liaison Office
North Sohrevardi Ave. 26,
Sarmad St., Apt. #9
Tehran 15539
Phone: +9821 8874 5973
Fax: +9821 8850 1268
krohne@krohneiran.com

Italy

KROHNE Italia Srl.
Via V. Monti 75
I-20145 Milan
Phone: +39 02 4300 661
Fax: +39 02 4300 6666
info@krohne.it

Korea

KROHNE Korea
Room 508 Miwon Bldg 43
Yoido-Dong Youngdeungpo-Ku
Seoul, Korea
Phone: 00-82-2-782-1900
Fax: 00-82-2-780-1749
krohnekorea@krohnekorea.com

Netherlands

KROHNE Nederland B.V.
Kerkeplaat 14
NL-3313 LC Dordrecht
Phone: +31 (0)78 630 6200
Fax: +31 (0)78 630 6405
Service Direct: +31 (0)78 630 6222
info@krohne.nl

Norway

KROHNE Norway A.S.
Ekholtheien 114
NO-1521 Moss
Phone: +47 (0)69 264 860
Fax: +47 (0)69 267 333
postmaster@krohne.no

Poland

KROHNE Polska Sp.z.o.o.
ul. Stary Rynek Oliwski 8a
80-324 Gdansk
Phone: +48 (0)58 520 9211
Fax: +48 (0)58 520 9212
info@krohne.pl

Switzerland

KROHNE AG
Uferstr. 90
CH-4019 Basel
Phone: +41 (0)61 638 30 30
Fax: +41 (0)61 638 30 40
info@krohne.ch

Singapore

Tokyo Keiso - KROHNE (Singapore)
Pte. Ltd.
14, International Business Park,
Jurong East
Chiyoda Building, #01-01/02
Singapore 609922
Phone: (65) 6567 4548
Fax: (65) 6567 9874
tks@tokyokeiso-krohne.com.sg

Republic of South Africa

KROHNE Pty. Ltd.
Bushbuck Close
Corporate Park South
Midrand, Gauteng
P.O. Box 2069
Midrand, 1685
Phone: +27 (0)11 314 1391
Fax: +27 (0)11 314 1681
midrand@krohne.co.za

Spain

I.I. KROHNE IBERIA, S.r.l.
Poligono Industrial Nilo
Calle Brasil, nº. 5
28806 Alcalá de Henares Madrid
Phone: +34 (0)91 883 2152
Fax: +34 (0)91 883 4854
krohne@krohne.es

USA

KROHNE, Inc.
7 Dearborn Road
Peabody, MA 01960
Phone: +1 (800) FLOWING
Phone: +1 (978) 535 6060 (in MA)
info@krohne.com

Representatives

Algeria
Argentina
Cameroon
Canada
Chile
Columbia
Croatia
Denmark
Ecuador
Egypt
Finland
Gabon
Ghana
Greece
Hong Kong
Hungary
Indonesia
Iran
Ireland
Israel
Ivory Coast
Japan
Jordan
Kuwait
Libya
Lithuania
Malaysia
Mauritius
Mexico
Morocco
New Zealand
Peru
Portugal
Romania
Saudi Arabia
Senegal
Slovakia
Slovenia
Sweden
Taiwan
Thailand
Tunisia
Turkey
Venezuela
Yugoslavia

Other countries

KROHNE Messtechnik GmbH & Co. KG
Ludwig-Krohne-Str. 5
D-47058 Duisburg
Phone: +49 (0)203 301 0
Fax: +49 (0)203 301 389
export@krohne.de