

Data sheet

Three point controlled actuators

AMV 10, AMV 20, AMV 30

AMV 13, AMV 23, AMV 23 SU, AMV 33 - spring return function

Description



The actuators with or without safety function are available for 3-point controls. The spring return actuators can be used to provide safety shut off on power failure. They are used with VS2, VM2, VB2, VMV and AVQM valves.

In addition to basic function such as manual control and position indication, the actuators are also equipped with force sensitive switch-off to ensure that actuators and valves are not exposed to overload. This function automatically ensures the self-adjustment of the end positions on the valve.

Main data:

- 24 V and 230 V version
- AMV 10, 13 - spindle speed 14 s/mm
- AMV 20, 23, 23 SU - spindle speed 15 s/mm
- AMV 30, 33 - spindle speed 3 s/mm
- spring return function (DIN 32730 registration).

Ordering

Type	Supply voltage	Code No.
AMV 10	230 V~	082G3001
AMV 10	24 V~	082G3002
AMV 20	230 V~	082G3007
AMV 20	24 V~	082G3008
AMV 30	230 V~	082G3011
AMV 30	24 V~	082G3012

Spring return function - DIN 32730 approval

Type	Supply voltage	Code No.
AMV 13	230 V~	082G3003
AMV 13	24 V~	082G3004
AMV 23	230 V~	082G3009
AMV 23	24 V~	082G3010
AMV 23 SU	230 V~	082G3040
AMV 23 SU	24 V~	082G3041
AMV 33	230 V~	082G3013
AMV 33	24 V~	082G3014

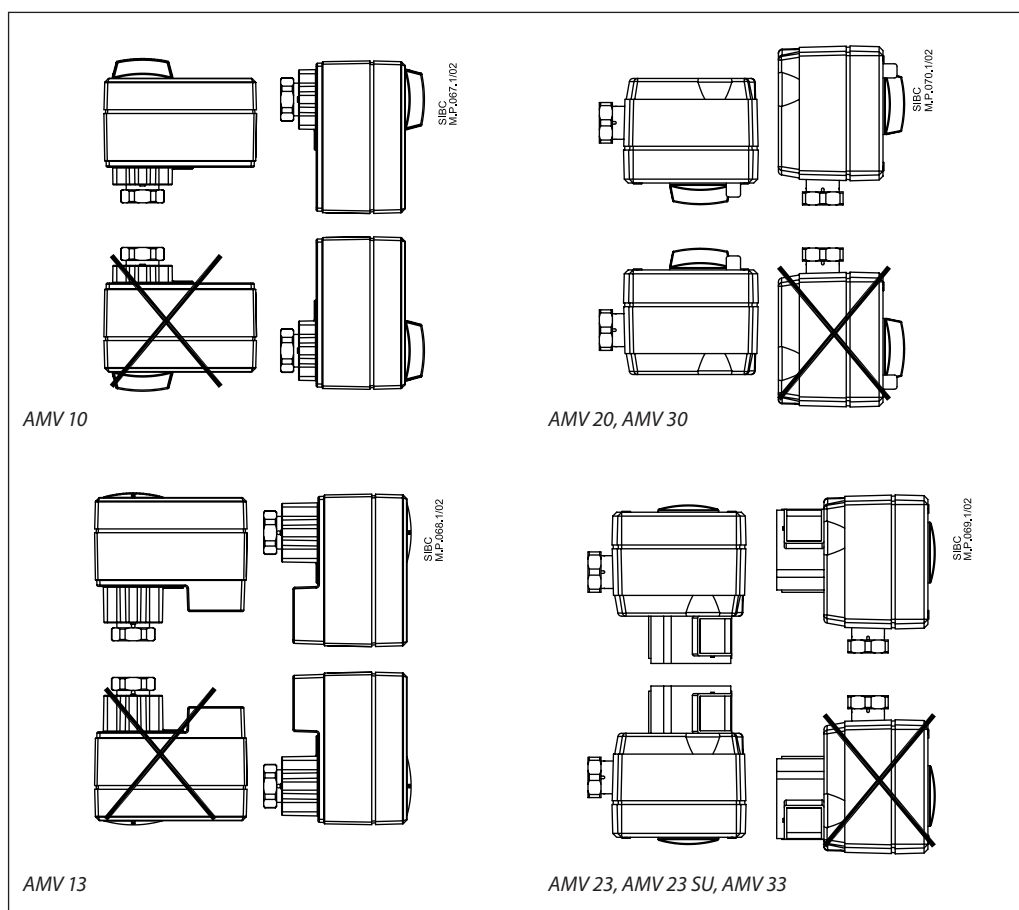
Accessories for AMV 20/23, AMV 30/33

Type	Code No.
Additional switch (2x)	082G3201
Additional switch (2x) and potentiometer (10 kΩ)	082G3202
Additional switch (2x) and potentiometer (1 kΩ)	082G3203

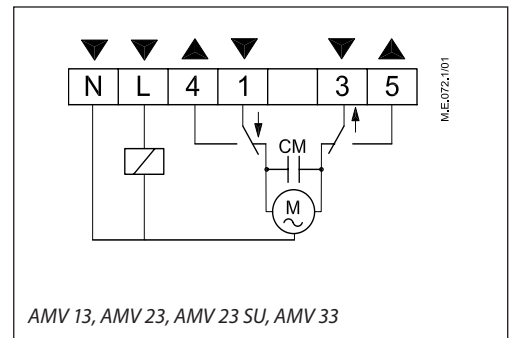
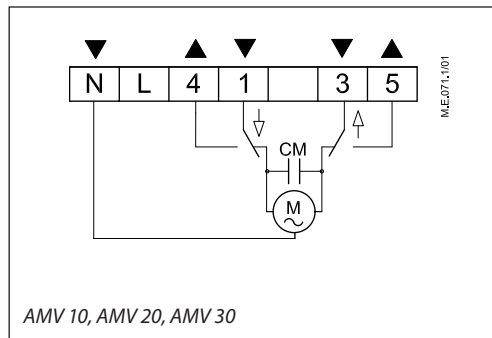
Technical data

Type	AMV 10	AMV 13	AMV 20	AMV 23, 23 SU	AMV 30	AMV 33
Power supply	24V~, 230V~; +10 ... -15%					
Power consumption	2 VA	7 VA	2 VA	7 VA	7 VA	12 VA
Frequency	50 Hz / 60 Hz					
Control input	3-point					
Spring return function	-	x	-	x	-	x
Close of force	300 N			450 N		
Max. stroke	5 mm			10 mm		
Speed	14 s/mm		15 s/mm		3 s/mm	
Max. medium temperature	130 °C			150 °C		
Ambient temperature	0 ... +55 °C					
Storage and transport temp.	-40 ... +70 °C					
Protection code	IP 54					
Weight	0.6 kg	0.8 kg	1.4 kg	1.45 kg	1.4 kg	1.45 kg
CE-marking in accordance with standards	EMC- Directive 2004/108/EEC: EN 60730-1, EN 60730-2-14 Low Voltage Directive 73/23/EEC: EN 60730-1, EN 60730-2-14					

Installation



Wiring



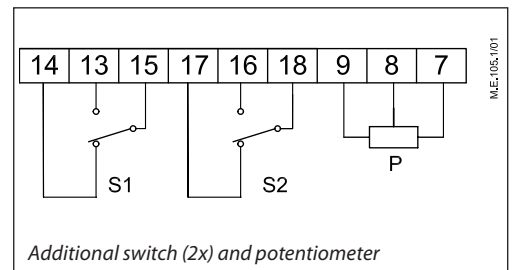
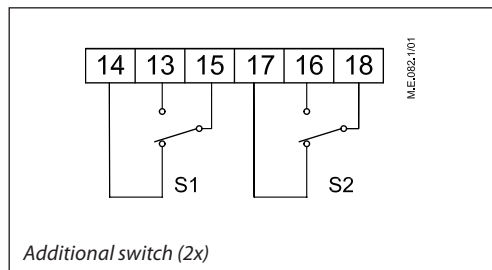
Terminals 1, 3:
Control voltage input from the controller.

Terminals 4, 5:
Output used for position indication or monitoring.

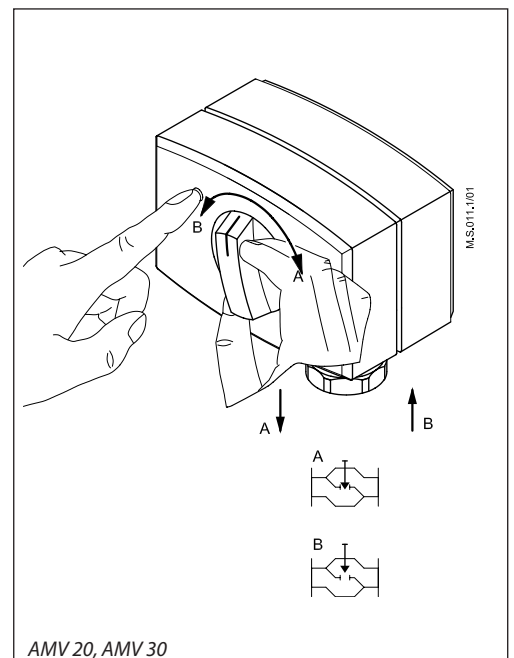
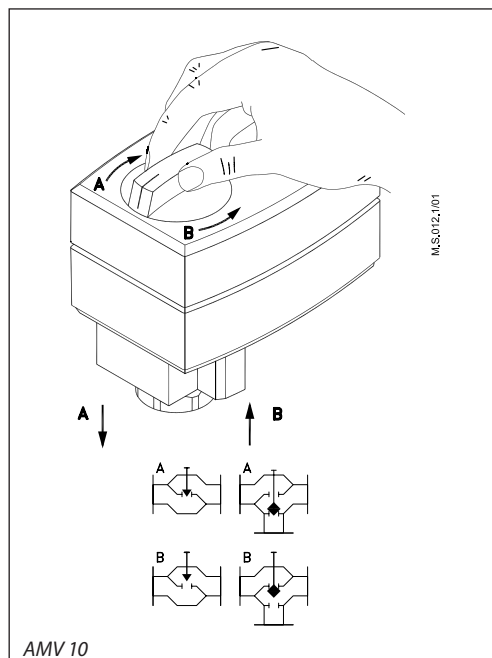
L
Supply power 24 V~, 230 V~

N
Common (0 V)

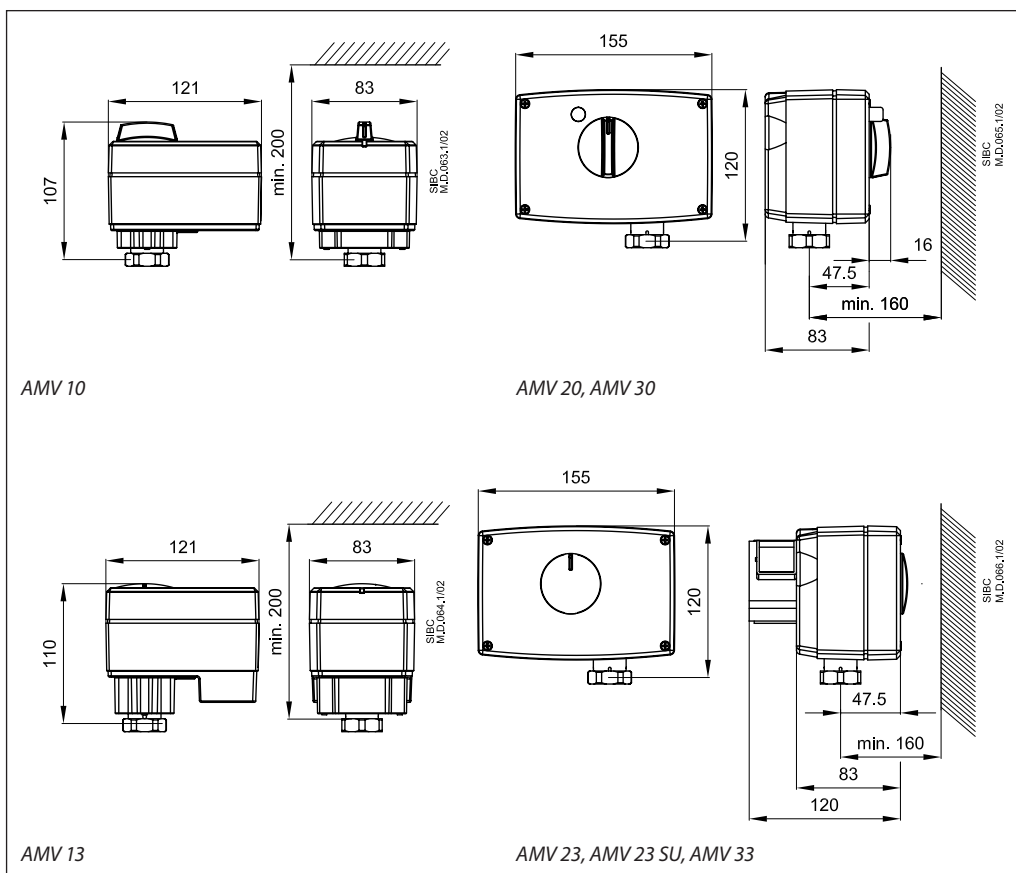
Wiring - accessories



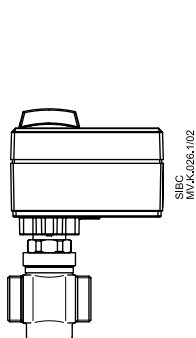
Manual Override



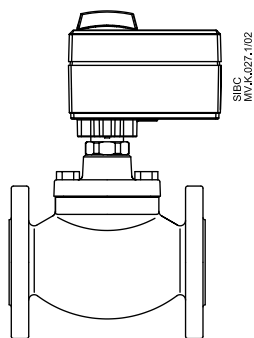
Dimensions



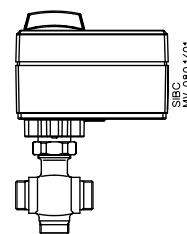
Actuator - valve combinations



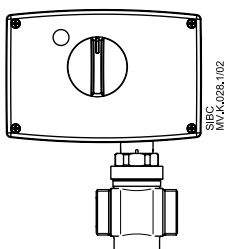
AMV 10, AMV 13 +
VM2 (DN 15 - 25)
VS2 (DN 15 - 25)



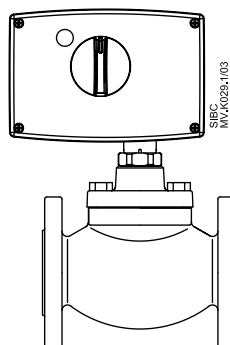
AMV 10, AMV 13 +
VB2 (DN 15 - 20)



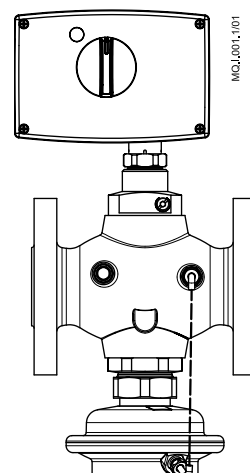
AMV 10 +
VMV (DN 15 - 40)



AMV 20/30, AMV 23/33 +
VM2 (DN 15 - 50)
VS2 (DN 15 - 25)



AMV 20/30, AMV 23/33 +
VB2 (DN 15 - 50)



AMV 20/30, AMV 23/33 +
AVQM (DN 15 - 50)

